

# POWER AMPLIFIER *C160/C320/C450*

## SERVICE MANUAL



### ■CONTENTS

SPECIFICATIONS .....	3
PANEL LAYOUT .....	4
DIMENSIONS .....	5
BLOCK DIAGRAM .....	5
CIRCUIT BOARD LAYOUT & WIRING .....	6
DISASSEMBLY PROCEDURE .....	10
IC BLOCK DIAGRAM.....	12
POWER CONSUMPTION vs OUTPUT POWER GRAPH .....	12
CAUTION FOR SPEAKER CONNECTION .....	12
CIRCUIT BOARDS .....	13
INSPECTIONS .....	16
TROUBLESHOOTING .....	18
PARTS LIST	
OVERALL CIRCUIT DIAGRAM	

## IMPORTANT NOTICE

This manual has been provided for the use of authorized Yamaha Retailers and their service personnel. It has been assumed that basic service procedures inherent to the industry, and more specifically Yamaha Products, are already known and understood by the users, and have therefore not been restated.

**WARNING:** Failure to follow appropriate service and safety procedures when servicing this product may result in personal injury, destruction of expensive components and failure of the product to perform as specified. For these reasons, we advise all Yamaha product owners that all service required should be performed by an authorized Yamaha Retailer or the appointed service representative.

**IMPORTANT:** The presentation or sale of this manual to any individual or firm does not constitute authorization, certification, recognition of any applicable technical capabilities, or establish a principal-agent relationship of any form.

The data provided is believed to be accurate and applicable to the unit(s) indicated on the cover. The research, engineering, and service departments of Yamaha are continually striving to improve Yamaha products. Modifications are, therefore, inevitable and changes in specification are subject to change without notice or obligation to retrofit. Should any discrepancy appear to exist, please contact the distributor's Service Division.

**WARNING:** Static discharges can destroy expensive components. Discharge any static electricity your body may have accumulated by grounding yourself to the ground buss in the unit (heavy gauge black wires connect to this buss).

**IMPORTANT:** Turn the unit OFF during disassembly and parts replacement. Recheck all work before you apply power to the unit.

## WARNING: CHEMICAL CONTENT NOTICE!

The solder used in the production of this product contains LEAD. In addition, other electrical/electronic and/or plastic (where applicable) components may also contain traces of chemicals found by the California Health and Welfare Agency (and possibly other entities) to cause cancer and/or birth defects or other reproductive harm.

**DO NOT PLACE SOLDER, ELECTRICAL/ELECTRONIC OR PLASTIC COMPONENTS IN YOUR MOUTH FOR ANY REASON WHAT SO EVER!**

**Avoid prolonged, unprotected contact between solder and your skin! When soldering, do not inhale solder fumes or expose eyes to solder/flux vapor!**

**If you come in contact with solder or components located inside the enclosure of this product, wash your hands before handling food.**

### ■ WARNING

Components having special characteristics are marked  $\triangle$  and must be replaced with parts having specification equal to those originally installed.

## SPECIFICATIONS

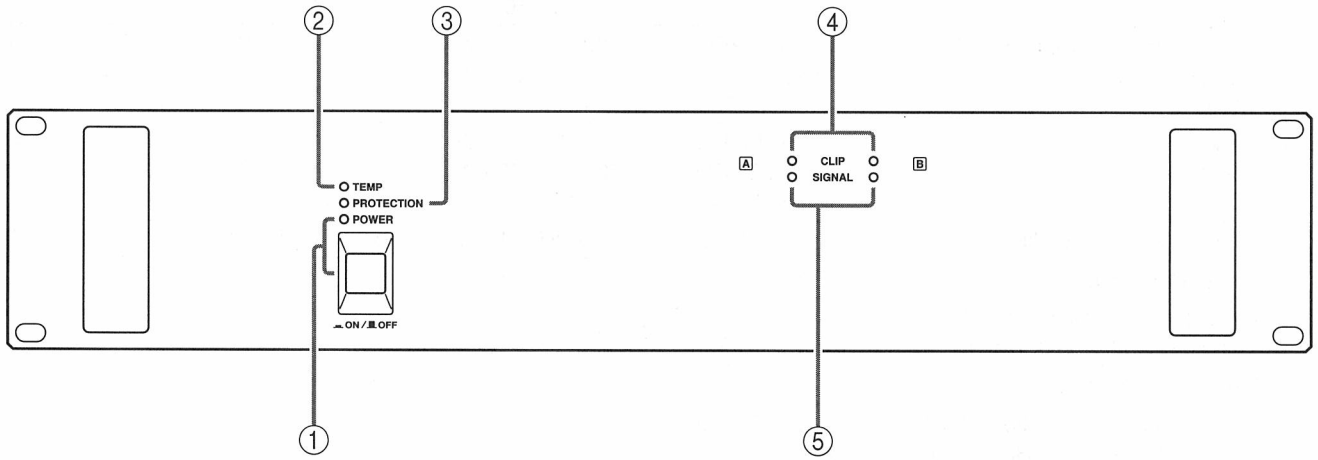
### General specifications

		C450	C320	C160
Power Output Level (Rated Power) 20 Hz~20 kHz 0.05%	8Ω/STEREO	460 W + 460 W	340 W + 340 W	160 W + 160 W
	4Ω/STEREO	620 W + 620 W	440 W + 440 W	200 W + 200 W
	8Ω/BRIDGE	1240 W	880 W	400 W
1 kHz 0.05%	8Ω/STEREO	520 W + 520 W	370 W + 370 W	175 W + 175 W
	4Ω/STEREO	720 W + 720 W	520 W + 520 W	230 W + 230 W
	8Ω/BRIDGE	1440 W	1040 W	460 W
1 kHz, 20 ms, no clip	2Ω/STEREO	1300 W + 1300 W	950 W + 950 W	350 W + 350 W
Power Bandwidth	Half Power, 0.1%	10 Hz~40 kHz		
Total Harmonic Distortion (THD + N) 20 Hz~20 kHz, Half Power	4~8Ω/STEREO 8Ω/BRIDGE	0.05%		
Frequency Response		10 Hz~50 kHz, +0, -1 dB		
Intermodulation distortion (IMD) 7 kHz: 60 Hz, 1: 4, Half Power	4~8Ω/STEREO 8Ω/BRIDGE	0.05%		
Damping factor	1 kHz, 8Ω	200		
Input Impedance		30 kΩ/Balance, 15 kΩ/Unbalanced		
Residual Noise Vol. min.	12.7 kHz LPF IHF-A network	-75 dB		
SN Ratio Input 600Ω shunt	12.7 kHz LPF IHF-A network	105 dB	104 dB	101 dB
Channel Separation	Half Power, 8Ω, Vol. max. input 600Ω shunt	65 dB, 20 Hz~20 kHz 75 dB, 1 kHz		
Slew Rate 8Ω full swing	STEREO BRIDGE	>30 V/μ sec >50 V/μ sec		
Sensitivity (Vol. max.) Rated Power into 8Ω		+5.7 dB	+4.2 dB	+1.2 dB
Voltage Gain (Vol. max.)		32.1 dB		
Controls	Front Panel Rear Panel	POWER switch (Push on/Push off) Volume (31 position dB calibrated) Mode switch (STEREO/BRIDGE/PARALLEL)		
Connectors	Input  Output	Barrier strip terminal XLR-3-31 type Barrier strip terminal		
Indicators	POWER TEMP PROTECTION (mute) CLIP OUTPUT SIGNAL	(heatsink temp ≥ 85°C)  × 2 × 2		
Protection Circuits		POWER switch ON/OFF, Muting, DC detection TEMP (heatsink temp ≥ 95°C)		
PC limiter		RL ≤ 1Ω		
Fan Circuits		Low speed (50°C), Variable, High speed (70°C)		
Power Requirements	United States & Canada Europe Other	120 V, 60 Hz 230 V, 50 Hz 240 V, 50 Hz		
Power Consumption		500 W/650 VA	400 W/500 VA	200 W/250 VA
Dimensions (W × H × D)		480 × 103.5 × 455 mm		
Weight		16 kg	15 kg	12 kg
Options		Ventilation panel: VP1		

0 dB=0.775 Vrms, Half Power=1/2 Power Output Level (Rated Power)

## ■ PANEL LAYOUT

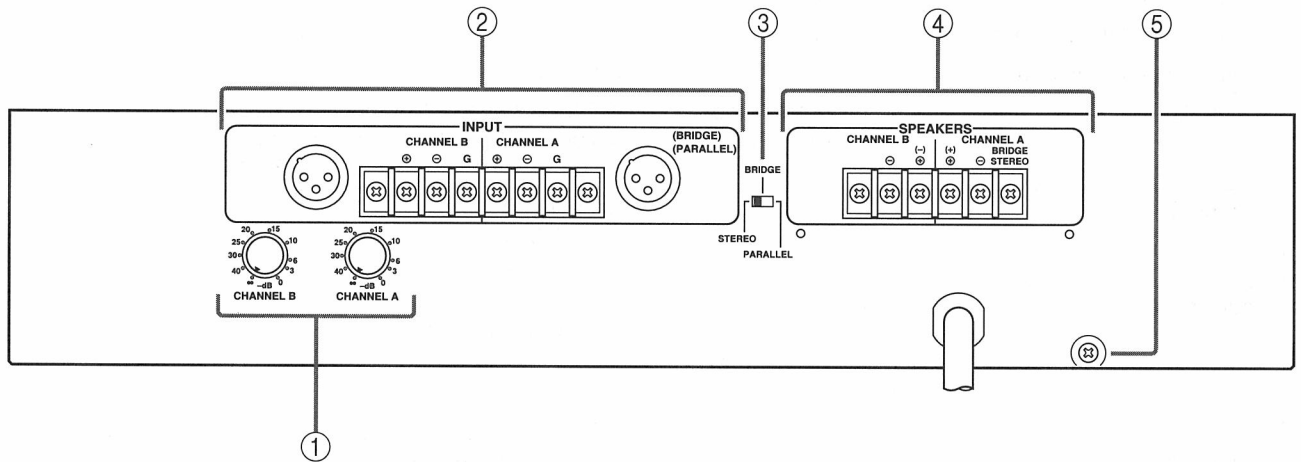
### ● Front panel



- ① POWER switch & indicator
- ② TEMP indicator
- ③ PROTECTION indicator

- ④ CLIP indicators
- ⑤ SIGNAL indicators

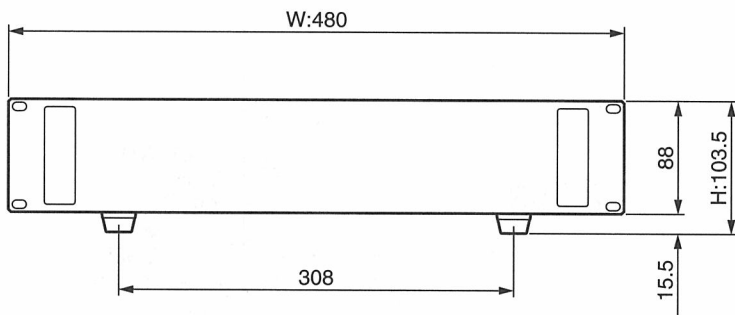
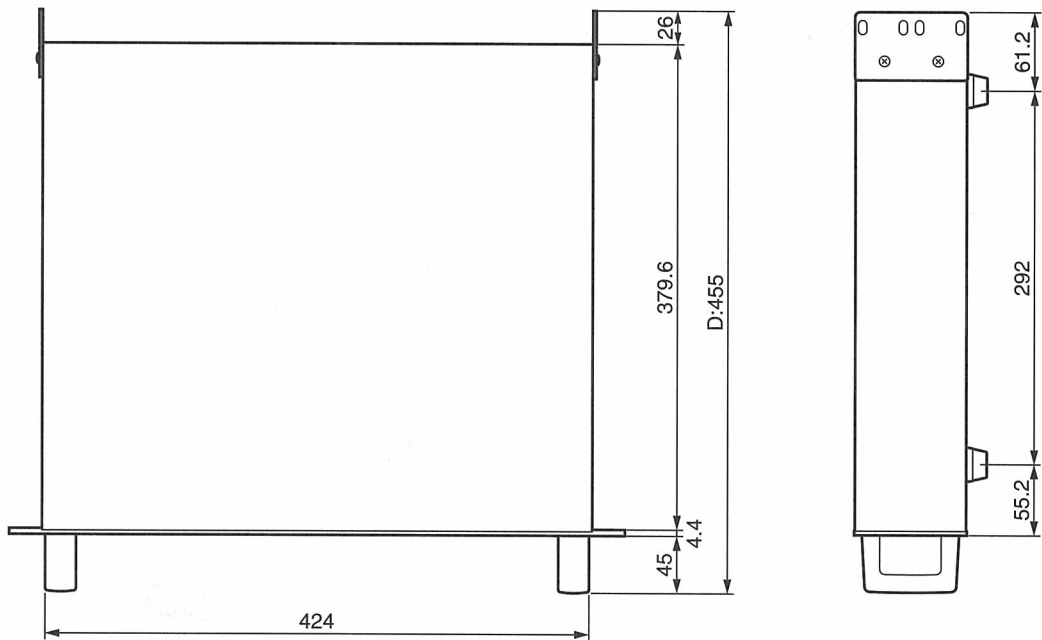
### ● Rear panel



- ① Volume controls
- ② INPUTS (CHANNEL A, B)
- ③ STEREO/BRIDGE/PARALLEL switch

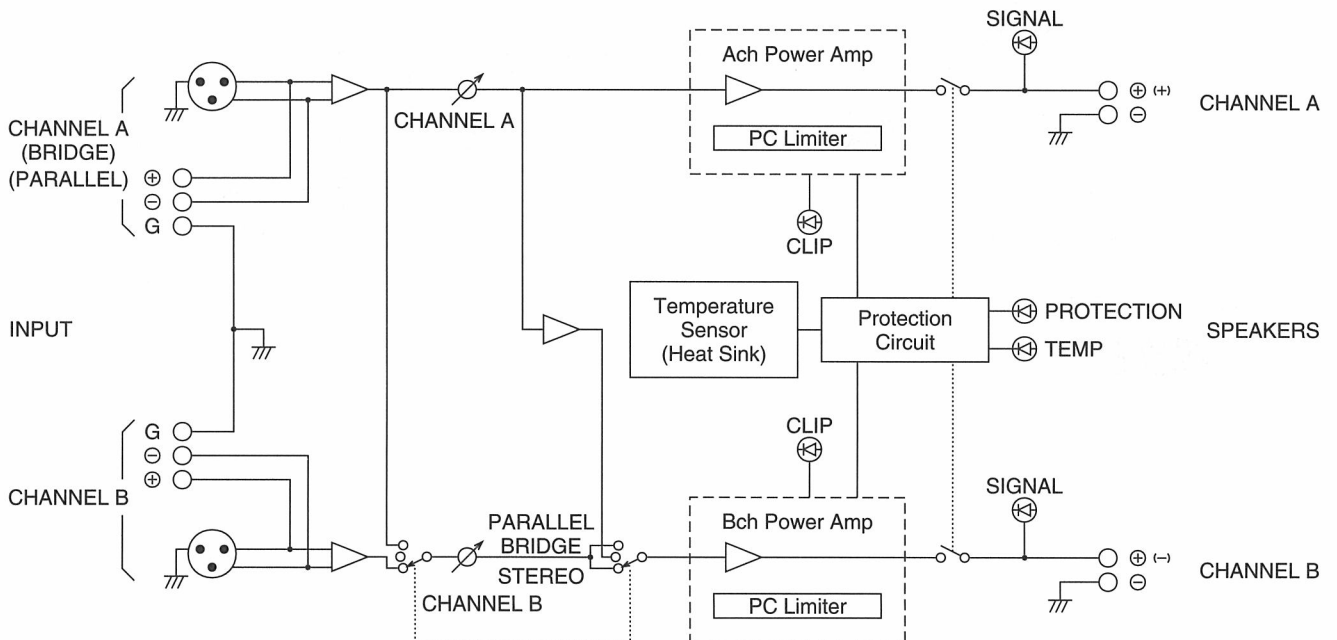
- ④ SPEAKERS terminals
- ⑤ GND terminal

## DIMENSIONS



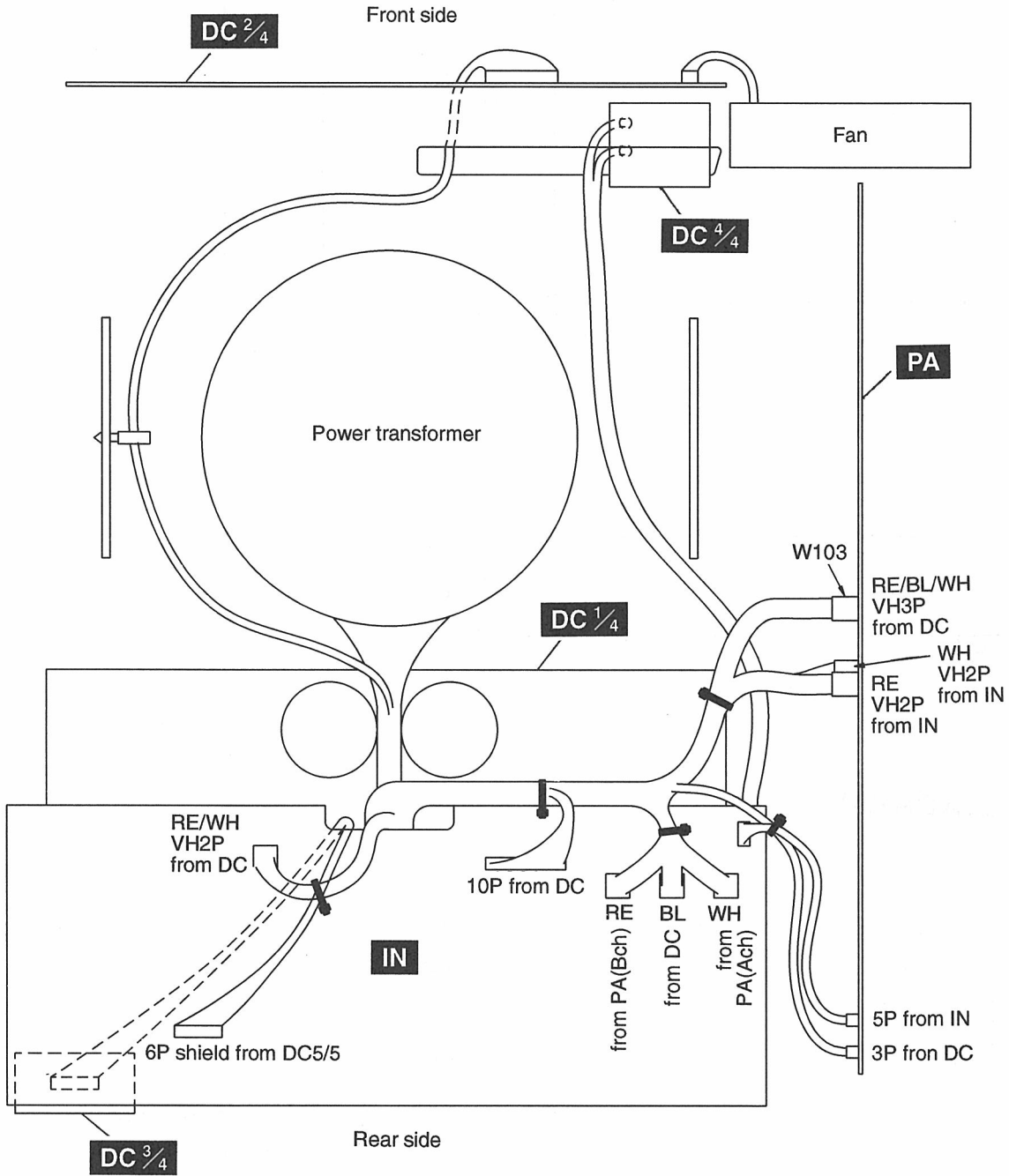
Unit: mm

## BLOCK DIAGRAM

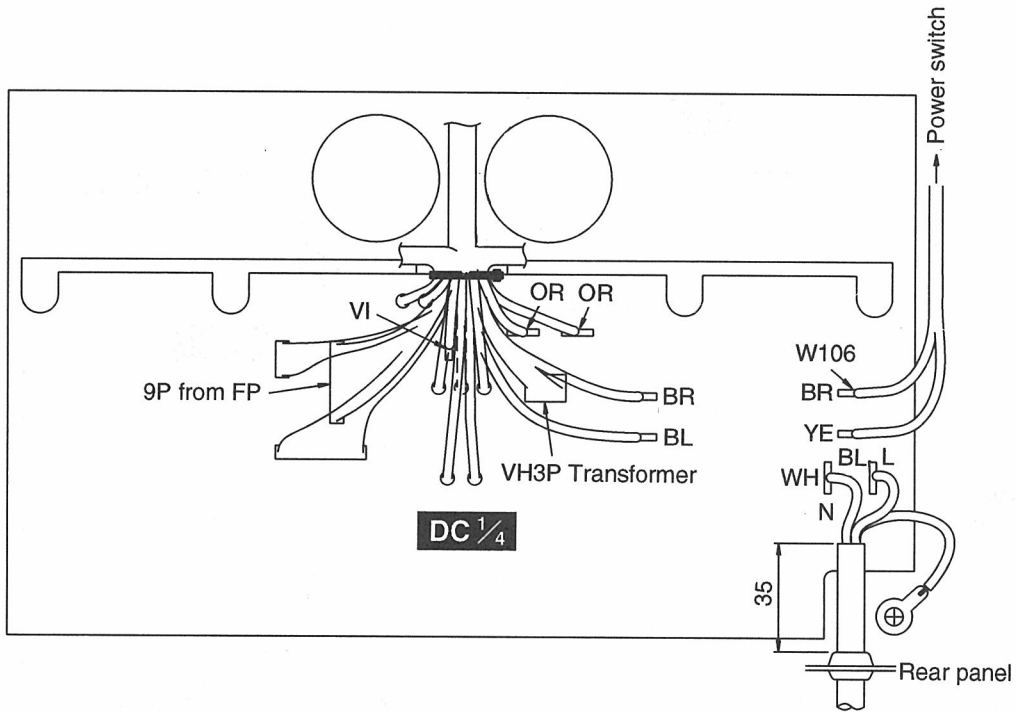


# CIRCUIT BOARD LAYOUT & WIRING

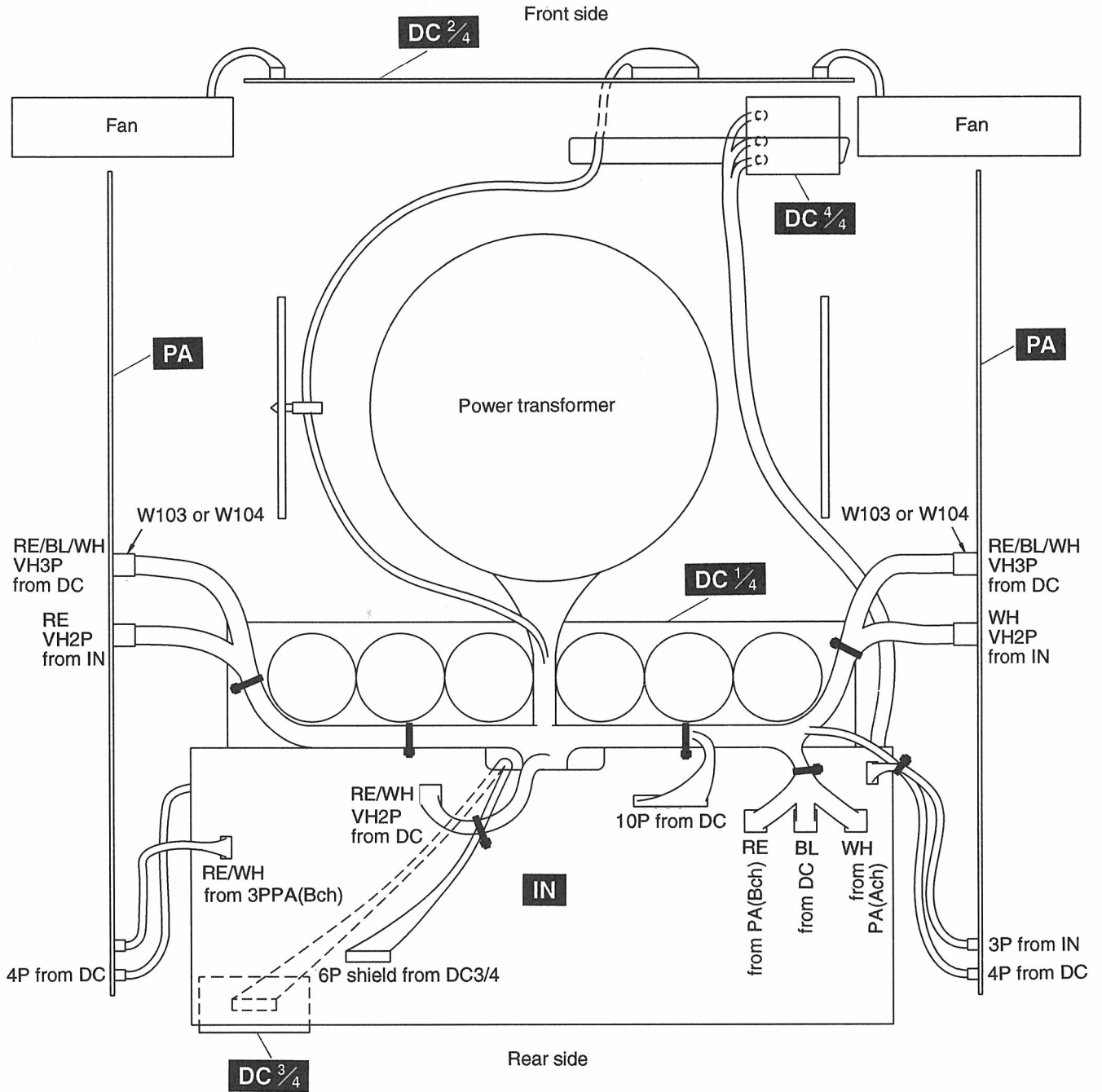
## C160 Circuit Board Wiring



• DC Circuit Board (C160)

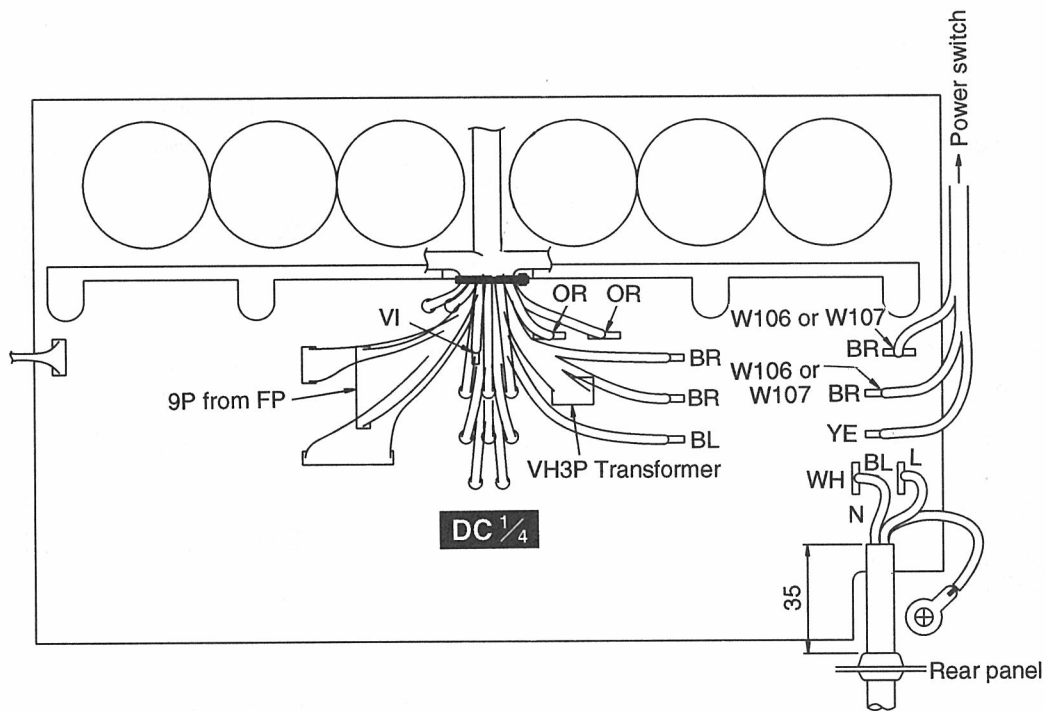


• C320/C450 Circuit Board Wiring





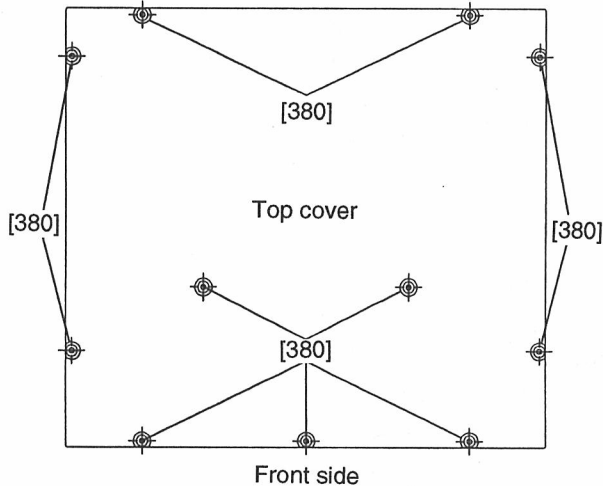
• DC Circuit Board (C320/C450)



## DISASSEMBLY PROCEDURE

### 1. Top Cover

- 1-1 Remove the eleven (11) screws marked [380]. Then the top cover can be removed. (Fig. 1)

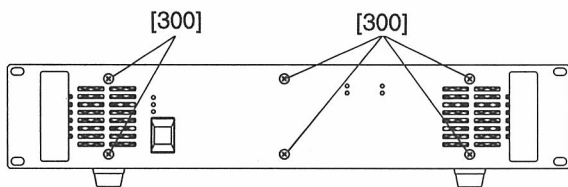


[380] : Bind Head Tapping Screw-B 4.0×8  
MFZN2BL (EG340190)

(Fig.1)

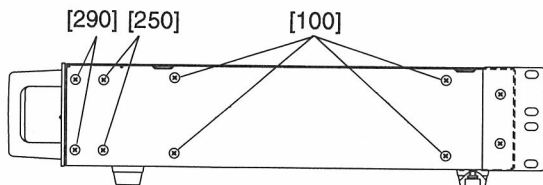
### 2. Panel Assembly

- 2-1 Remove the six (6) screws marked [300], and the four (4) screws marked [290]. Then the panel assembly can be removed. (Fig. 2, Fig. 3)



[300] : Oval Head Screw 4.0×8  
MFZN2BL (VS153600)

(Fig.2)



[100] : Bonding Tapping Screw-B 4.0×8  
MFZN2BL (VR779900)

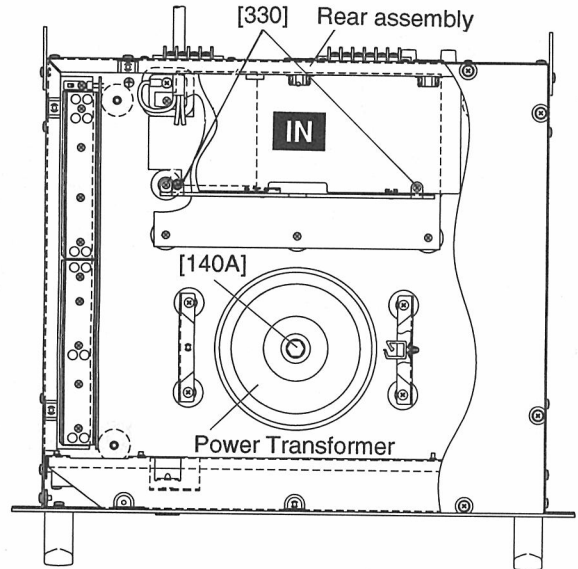
[250] : Bind Head Tapping Screw-B 4.0×8  
MFZN2BL (EG340190)

[290] : Bind Head Tapping Screw-B 4.0×8  
MFZN2BL (EG340190)

(Fig.3)

### 3. Rear Assembly

- 3-1 Remove the top cover. (See procedure 1)  
3-2 Remove the two (2) screws marked [330] and the six (6) screws marked [320]. Then the rear assembly can be removed. (Fig. 4, Fig. 5)

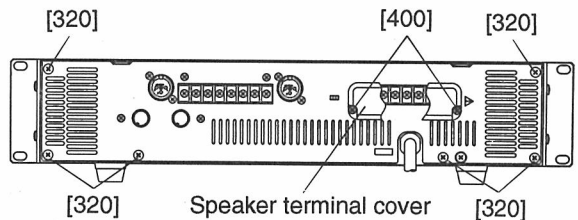


[330] : Bind Head Tapping Screw-B 3.0×8  
MFZN2BL (EP600190)

(Fig.4)

### 4. Power Transformer

- 4-1 Remove the top cover. (See procedure 1)  
4-2 Remove the rear assembly. (See procedure 3)  
4-3 Remove the hexagonal bolt marked [140A]. Then the power transformer can be removed. (Fig. 4)



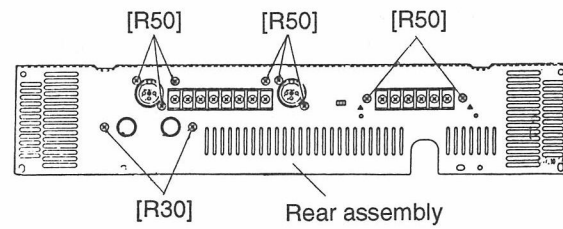
[320] : Bonding Tapping Screw-B 4.0×8  
MFZN2BL (VR779900)

[400] : Bind Head Tapping Screw-B 3.0×8  
MFZN2BL (EP600190)

(Fig.5)

**5. IN Circuit Board**

- 5-1 Remove the top cover. (See procedure 1)
- 5-2 Remove the rear assembly. (See procedure 3)
- 5-3 Remove the two (2) screws marked [400]. Then the Speaker terminal cover can be removed. (Fig. 5)
- 5-4 Remove the eight (8) screws marked [R50]. Then the IN Circuit Board can be removed. (Fig. 6)

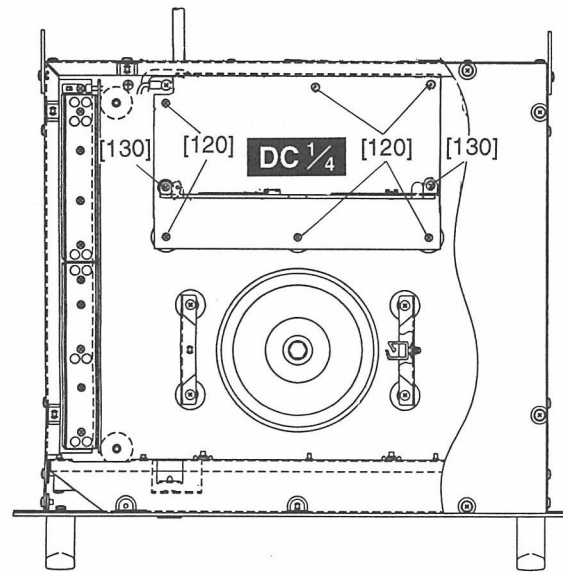


[R30] : Bonding Tapping Screw-B 3.0×8  
MFZN2BL (VN413300)  
[R50] : Bonding Tapping Screw-B 3.0×8  
MFZN2BL (VN413300)

(Fig.6)

**6. DC 1/4 Circuit Board**

- 6-1 Remove the top cover. (See procedure 1)
- 6-2 Remove the rear assembly. (See procedure 3)
- 6-3 Remove the six (6) screws marked [120] and the two (2) screws marked [130]. Then the DC 1/4 circuit board can be removed. (Fig. 7)

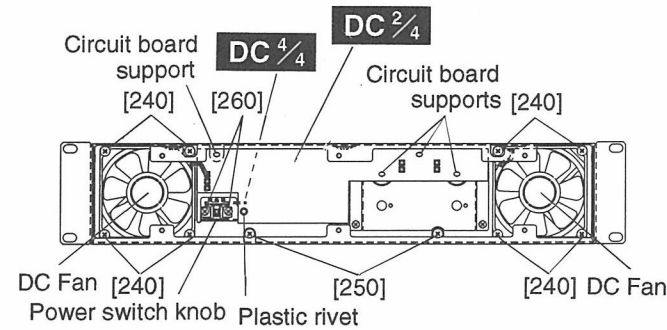


[120] : Bind Head Tapping Screw-B 3.0×8  
MFZN2BL (EP600190)  
[130] : Bind Head Tapping Screw-B 3.0×12  
MFZN2Y (VQ074600)

(Fig.7)

**7. DC 2/4 Circuit Board**

- 7-1 Remove the top cover. (See procedure 1)
- 7-2 Remove the panel assembly. (See procedure 2)
- 7-3 Remove the plastic rivet. (Fig. 8)
- 7-4 Press one of the four (4) heads of the circuit board supports, and gently pull the DC 2/4 circuit board. Repeat this procedure with the remaining heads until you can remove the DC 2/4 circuit board. (Fig. 8)

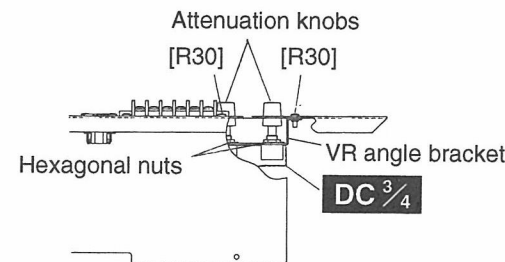


[240] : Bind Head Screw-B 4.0×8  
MFZN2Y (VQ866300)  
[250] : Bind Head Tapping Screw-B 4.0×8  
MFZN2BL (EG340190)  
[260] : Bind Head Screw-B 3.0×8  
MFZN2BL (VB659000)

(Fig.8)

**8. DC 3/4 Circuit Board**

- 8-1 Remove the top cover. (See procedure 1)
- 8-2 Remove the rear assembly. (See procedure 3)
- 8-3 Remove the two (2) screws marked [R30]. (Fig. 6)
- 8-4 Remove the two (2) attenuation knobs. (Fig. 9)
- 8-5 Remove the two (2) hexagonal nuts. Then the DC 3/4 circuit board can be removed from the VR angle bracket. (Fig. 9)



[R30] : Bonding Tapping Screw-B 3.0×8  
MFZN2BL (VN413300)

(Fig.9)

**9. DC 4/4 Circuit Board**

- 9-1 Remove the top cover. (See procedure 1)
- 9-2 Remove the panel assembly. (See procedure 2)
- 9-3 Remove the power switch knob. (Fig. 8)
- 9-4 Remove the two (2) screws marked [260]. Then the DC 4/4 circuit board can be removed. (Fig. 8)

**10. PA Unit**

- 10-1 Remove the top cover. (See procedure 1)
- 10-2 Remove the four (4) screws marked [100]. Then the one of the PA units can be removed. (Fig. 3)

\* Each model of C450 and C320 has two (2) PA units, but the model C160 has the only one (1) PA unit at the left side.

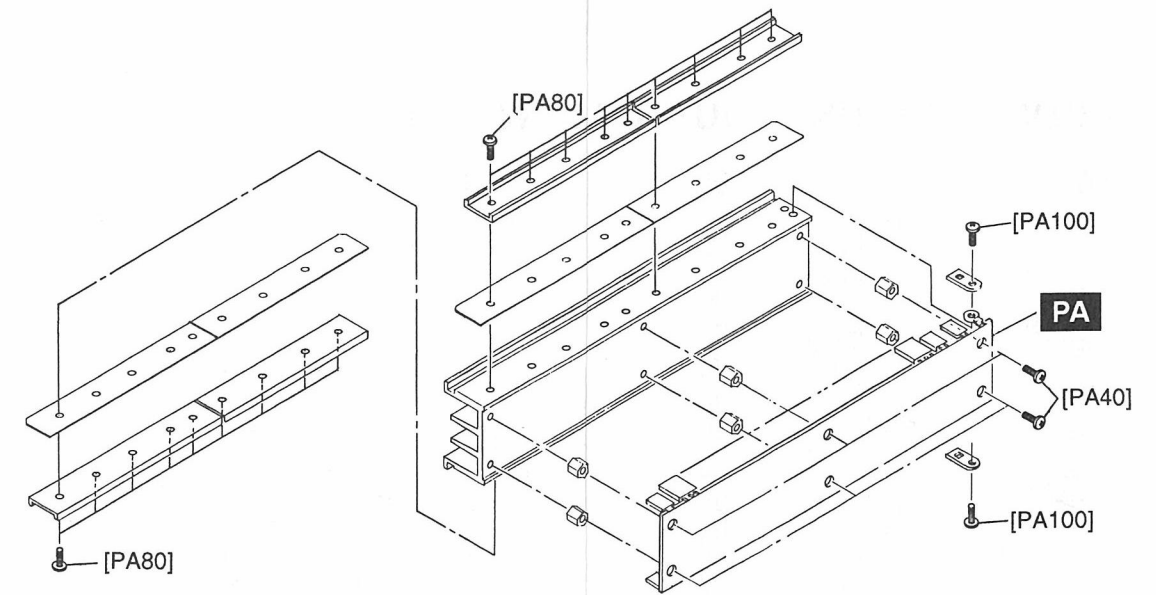
**11. PA Circuit Board**

- 11-1 Remove the top cover. (See procedure 1)
- 11-2 Remove the PA unit. (See procedure 10)
- 11-3 Remove the eighteen (18) screws marked [PA80], the two (2) screws marked [PA100] and the six (6) screws marked [PA40]. Then the PA circuit board can be removed. (Fig. 10)

**12. DC Fan**

- 12-1 Remove the top cover. (See procedure 1)
- 12-2 Remove the panel assembly. (See procedure 2)
- 12-3 Remove the six (6) screws marked [250]. Then the front chassis with the DC fans and another parts can be removed. (Fig. 3, Fig. 8)
- 12-4 Remove the four (4) screws marked [240] at one DC fan. Then the DC fan can be removed. The other one can be removed in the same manner. (Fig. 8)

\* Each model of C450 and C320 has two (2) DC fans, but the model C160 has the one (1) DC fan on the left side only.

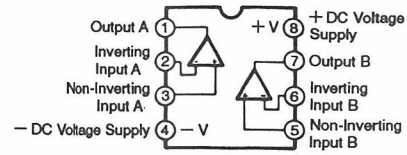


[PA40] : Bind Head Screw SP 3.0×8 MFZN2Y (EG330290)  
[PA80] : Bind Head Tapping Screw-B 3.0×12 MFZN2BL (VQ074600)  
[PA100] : Bind Head Tapping Screw-B 3.0×12 MFZN2BL (VQ074600)

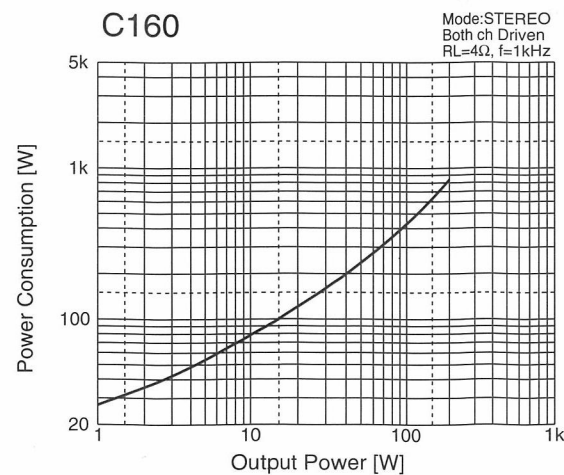
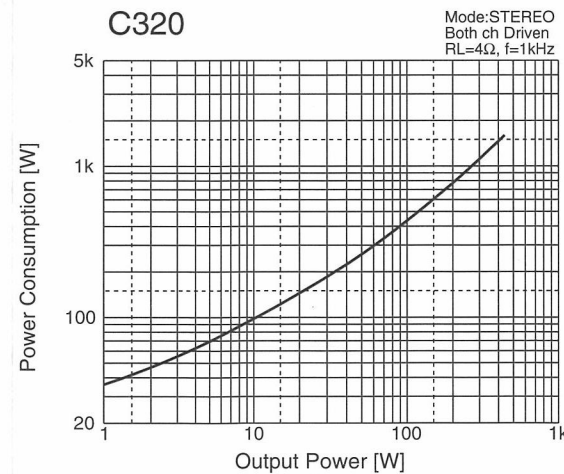
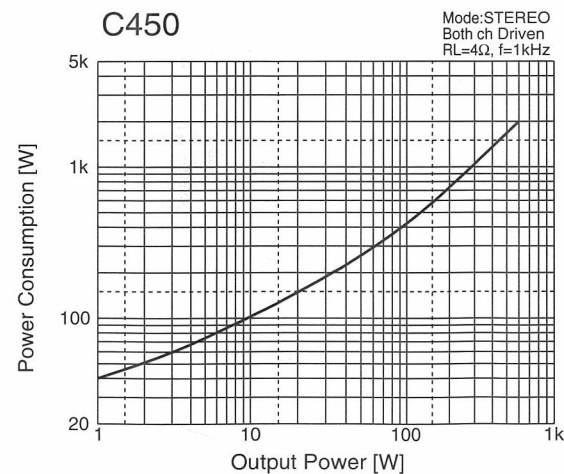
(Fig.10)

## IC BLOCK DIAGRAM

### ● M5238AP (XM085A00) Dual Operational Amplifier

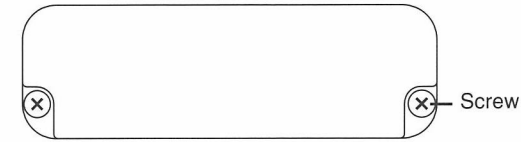


## POWER CONSUMPTION vs OUTPUT POWER GRAPH

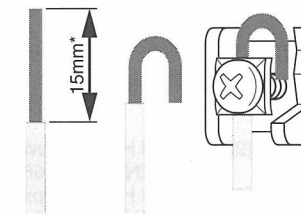


## CAUTION FOR SPEAKER CONNECTION

1. Turn off the POWER switch.
2. Remove the cover attachment screw(s) and remove the protective cover from the speaker terminals.

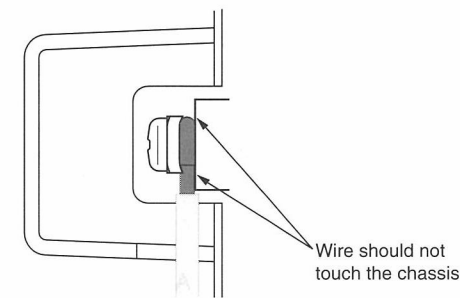


3. After removing approx. 15 mm of insulation from the ends of the speaker cables, bind the bare ends of the speaker wires in the corresponding speaker terminals and tighten the terminals to securely clamp the wires. Refer to page 3 for speaker polarity.



\* Shown actual size.

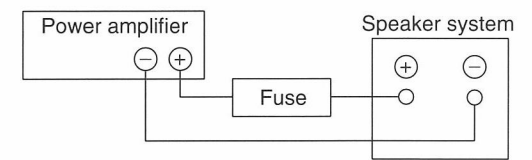
At this time make sure that the bare ends of the speaker cables do not extend from the terminals in such a way that they touch the chassis.



4. Reattach the protective cover over the speaker terminals.

### • Speaker fuse

The output capacity of your amplifier is very high: 460 W+460 W (8Ω) in stereo and 1240 W (8Ω) in monaural on the C450; 340 W+340 W (8Ω) in stereo and 880 W (8Ω) in monaural on the C320; 160 W+160 W (8Ω) in stereo and 400 W (8Ω) in monaural on the C160. Be sure to use a speaker system that has sufficient input capacity. If the input capacity of your speaker system is lower than the rated output of the power amplifier, you can protect your speakers by connecting a fuse serially between the speaker and amplifier as shown below.



Use the following formula to determine the fuse capacity according to the speaker's input capacity.

$$P_o = I^2 R \rightarrow I = \sqrt{P_o / R}$$

$P_o$  [W] : Speaker's continuous input capacity (noise or RMS)

$R$  [Ω] : Speaker's nominal impedance

$I$  [A] : Required fuse capacity

ex.) Speaker's continuous input capacity : 100 W  
Speaker's impedance : 8Ω

$$I = \sqrt{100/8}$$

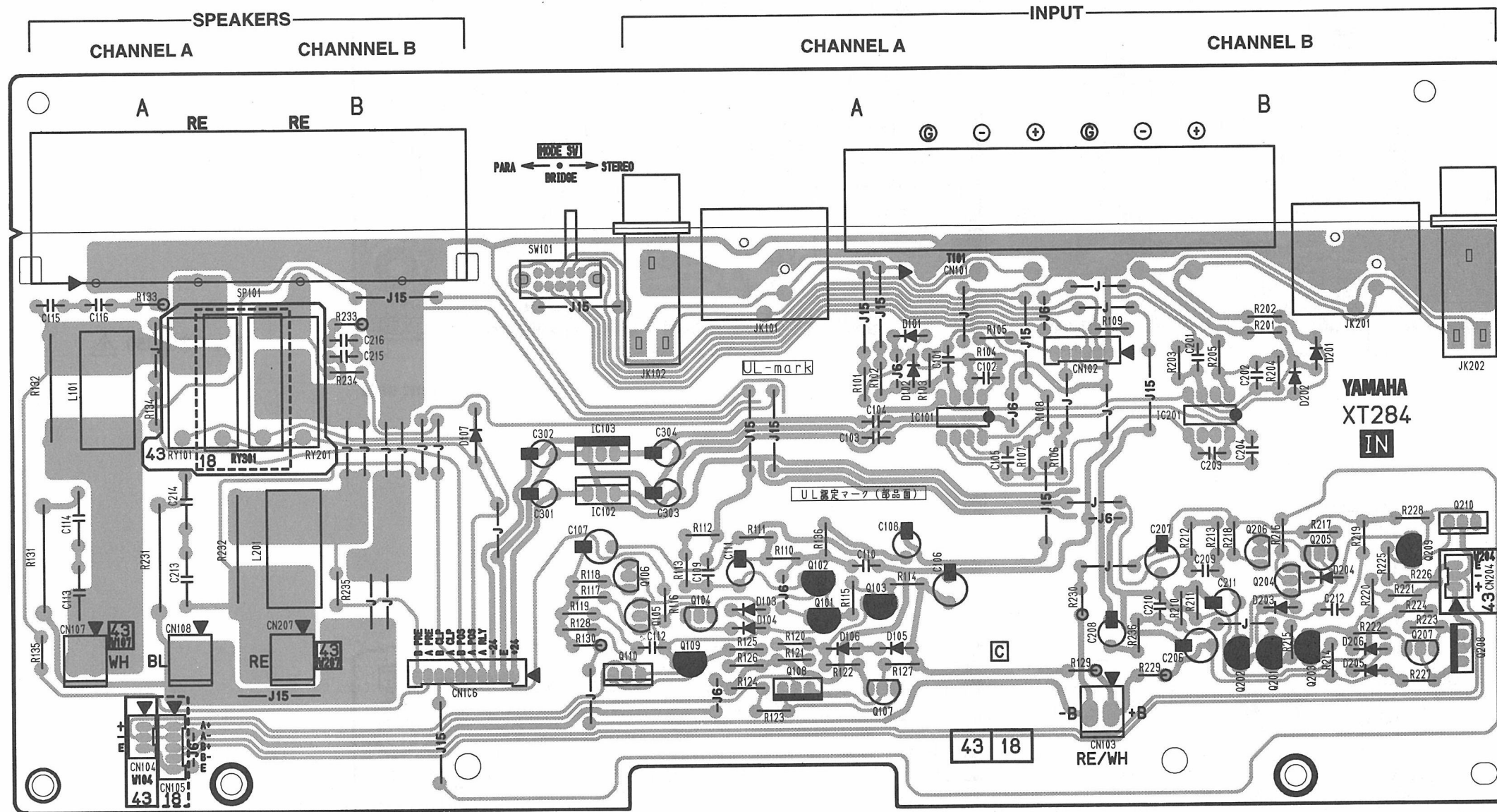
In this example, the required fuse capacity is calculated as 3.5 [A].

### • Speaker cable

If you use a long speaker cable, use as thick a cable as possible to prevent deterioration of the damping factor or power loss inside the cable.

■ CIRCUIT BOARDS

● IN Circuit Board



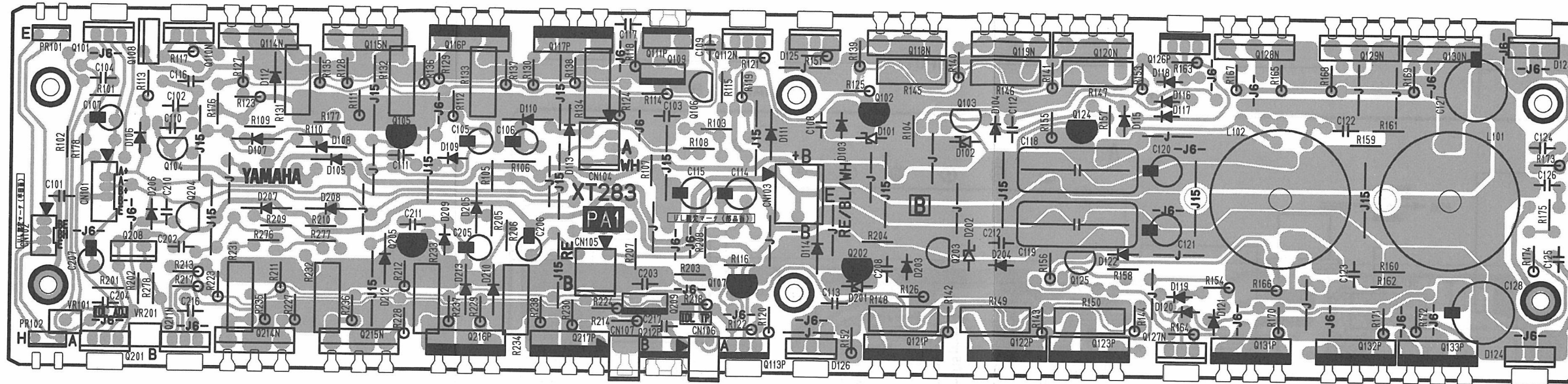
Component side

3NA-VZ01360 ⚠

Circuit Board Name	IN 35	IN 1
Model	C320/C450	C160
	43 ■	■ 18

Note : See parts list for details of circuit board component parts.

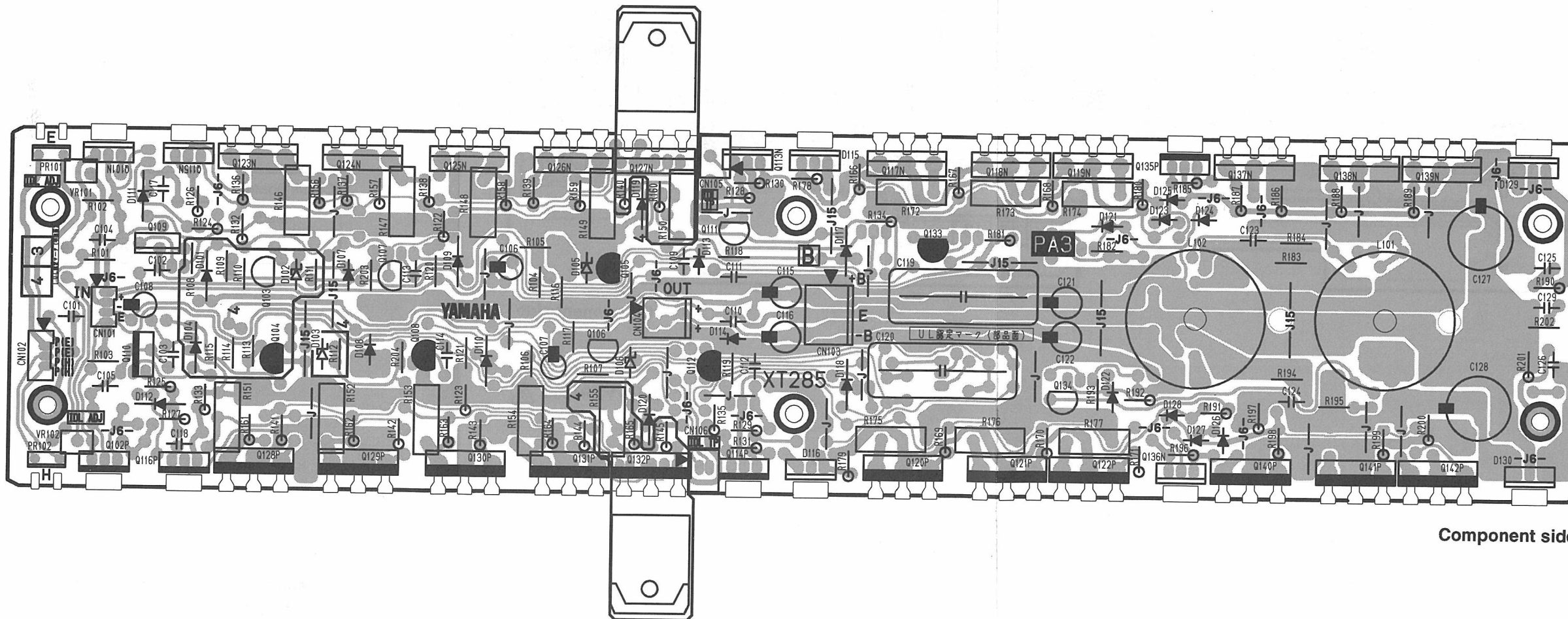
● PA Circuit Board (C160)



3NA-VZ01350 ⚠

Component side

● PA Circuit Board (C320/C450)

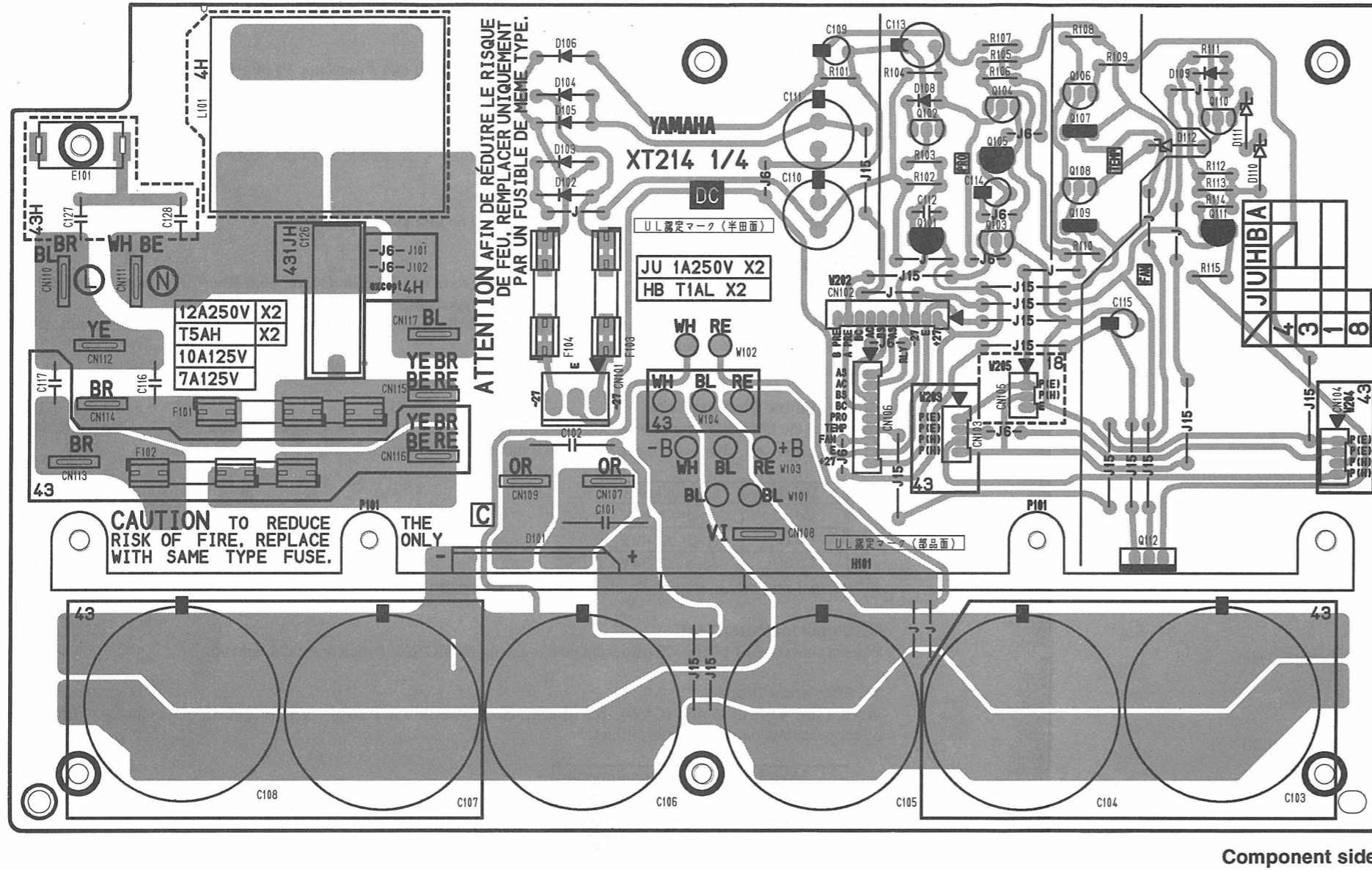


3NA-VZ01330 ⚠

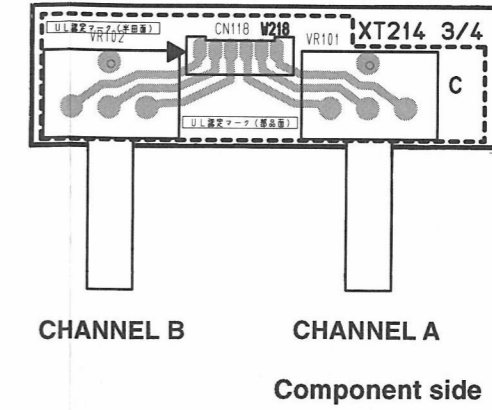
Component side

Note : See parts list for details of circuit board component parts.

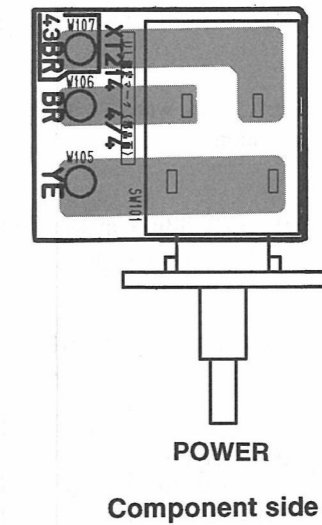
● DC 1/4 Circuit Board



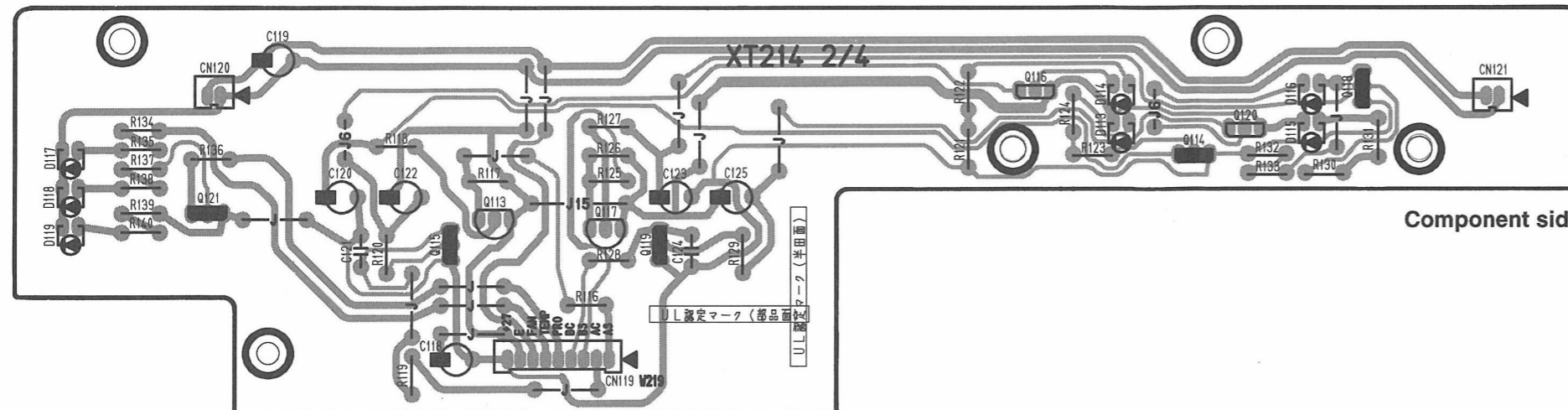
● DC 3/4 Circuit Board



● DC 4/4 Circuit Board



● DC 2/4 Circuit Board



3NA-VZ01380 ⚠

Note : See parts list for details of circuit board component parts.

## INSPECTIONS

### A. STEREO and PARALLEL Operation

Before performing any following adjustments, set the unit as follows:

1. Set the ATTENUATIONS at "0".
2. Input terminal: Cannon connector pin 2 is HOT, pins 1 and 3 GROUND.
3. MODE switch: STEREO
4. Output terminal: RL = 4 ohm/more than 500 W
5. Others: Both Channel operation is required, if no particular indication.

#### Adjustment Specifications

##### 1. Fan Test

When turning on the power switch, confirm that both fans of right and left sides regulate at low speed. (Model C160: left side only) And also confirm that if the CN102 on the PA circuit board of the A channel is disconnected, both fans rotate at high speed and the TEMP indicator lights on. After this test, connect the CN102 as it was.

##### 2. Muting Test

After applying power to the unit, the PROTECTION indicator should remain ON 2.5 ±1 seconds to indicate that the protection circuitry is operating and the indicator should go out. NO signal is output while this indicator lit.

##### 3. Idle Current Test

Connect the input terminal to the GROUND and adjust the VR102 (A channel) and VR101 (B channel) that the DC voltage Vb between the pin 1 and pin 2 of the CN106 (A channel) and the CN105 (B channel) should be 1.0 ±0.2 mV. (Model C160: Connect the input terminal to the GROUND and adjust the VR101 (A channel) and VR201 (B channel) that the DC voltage Vb between the pin 1 and pin 2 of the CN106 (A channel) and the CN107 (B channel) should be 1.0 ±0.2 mV.) And After finishing all tests, adjust the Vb again to 1.0 ±0.2 mV.

##### 4. Output Terminal DC offset

Connect the input terminal to the GROUND and check that the DC voltage Vdc of the output terminal should be 0 ±75 mV.

##### 5. Gain Test

Check that the OUTPUT should be +22.1 ±0.5 dBu, when a sine wave of 1 kHz at -10 dBu is applied to the INPUT. This test should be performed on PARALLEL operation.

##### 6. Frequency Response Test

When a sine wave of 20 Hz, 1 kHz or 20 kHz at -10 dBu is applied to the INPUT, check that the output is 0 ±0.5 dB at 20 Hz and -0.5 ±0.5 dB at 20 kHz taking the 1 kHz as a reference.

##### 7. Harmonic Distortion Test

When a high quality sine wave is applied at 20 Hz, 1 kHz or 20 kHz, the harmonic distortion should be as follows:

	Power output level (4 ohm)	THD		
		20 Hz	1 kHz	20 kHz
C450	600 W + 600 W (+36.0 dBu/ch)	≤ 0.1 %	≤ 0.05 %	≤ 0.1 %
C320	430 W + 430 W (+34.6 dBu/ch)			
C160	200 W + 200 W (+31.2 dBu/ch)			

※This test should have been finished within 30 seconds.

##### 8. Channel Separation Test

- 8-1 Apply a -5 dBu, 20 kHz sine wave into the channel A.
- 8-2 Short the input for the channel B with a 600 ohm load.
- 8-3 Set the output of the channel A at a reference of 0 dB.
- 8-4 If channel B attenuator is set to the same as channel A, channel B output should be less than -65 dB. (RL = 8 ohm)

##### 9. Noise Test

- 9-1 Set the input attenuator to "0".
- 9-2 Short the input with a 600 ohm load.
- 9-3 Measure at the output, noise level should be less than -65 dBm.
- 9-4 Set the input attenuator to "∞", noise level should be less than -70 dBu.

※Be careful that it is not affected by noise induced during this inspection.

### 10. Stability Test

When a rectangular wave 10 kHz, -10 dBu is applied to the input and a capacitor 10 pF~0.47 μF is connected with 4 ohm load resistor in parallel, the overshoot and the ringing should be as follows.

Overshoot:  $V_p/V_o \leq 1.8$   
Ringing: less than 5 waves

Next, when the 4 ohm load resistor is removed and the load is the capacitor 10 pF~0.47 μF only, the overshoot and the ringing should be as follows.

Overshoot:  $V_p/V_o \leq 2.5$   
Ringing: fade away in less than 7 waves and no oscillation

### 11. Protection Circuitry Test

Check that the relay does not work when you apply a sine wave of +7.0 dBu (C450), +5.6 dBu (C320) or +2.2 dBu (C160) at 10 Hz to the input and adjust the input level to obtain a clipped output wave form.

Next, check that when you apply a sine wave of 1 Hz, 0 dBu to the input, the signal is cut off within 2 seconds, and the PROTECTION indicator should light up.

Finally, check that when no signal is applied, the amplifier would resume to normal operation within 10 seconds.

### 12. PC Limiter Circuitry Test

Check that the OUTPUT should be as follows with an oscilloscope when a sine wave of 0 dBu (C450), -1.5 dBu (C320) or -4.5 dBu (C160) at 1 kHz is applied to the INPUT and the output is shorted with a 1 ohm load (±5%).

Model	Output level
C450	$V_{p-p} \leq 60V$
C320	$V_{p-p} \leq 40V$
C160	$V_{p-p} \leq 34V$

※This test should have been finished within 30 seconds.

### 13. Signal Indicator Test

When a sine wave of 1 kHz, -23 dBu is applied to the input, SIGNAL indicator should light up.

### 14. Efficiency Test

When a sine wave of -5 dBu (C450), -6.5 dBu (C320) or -9.5 dBu (C160) at 1 kHz is applied to the input, the primary side power consumption should be as follows.

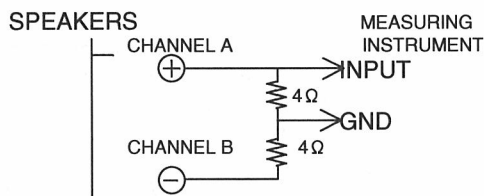
Model	Power Consumption
C450	350 ± 50 W
C320	250 ± 50 W
C160	145 ± 30 W



## B. BRIDGE Operation

Before performing any following adjustments, set the unit as follows:

1. Set the ATTENUATIONS at "0".
2. Input terminal: Cannon connector pin 2 is HOT, pins 1 and 3 GROUND.
3. MODE switch: BRIDGE
4. Output terminal: (A ch +, B ch +) RL = 4 + 4 ohm/more than 500 W
5. Connection for measuring: Measure the output at the point as shown below.



### Adjustment Specifications

#### 1. Gain Test

Check that the OUTPUT should be  $+22.1 \pm 1.0$  dBu, when a sine wave of 1 kHz at -10 dBu is applied to the INPUT.

#### 2. Frequency Response Test

When a sine wave of 20 Hz, 1 kHz or 20 kHz at -10 dBu is applied to the INPUT, check that the output is  $0 \pm 0.5$  dB at 20 Hz and  $-0.5 \pm 0.5$  dB at 20 kHz taking the 1 kHz as a reference.

#### 3. Harmonic Distortion Test

When a high quality sine wave is applied at 20 Hz, 1 kHz or 20 kHz, the harmonic distortion should be as follows:

Power output level (4 ohm)		THD		
		20 Hz	1 kHz	20 kHz
C450	+36.0 dBu	$\leq 0.1 \%$	$\leq 0.05 \%$	$\leq 0.1 \%$
C320	+34.6 dBu			
C160	+31.2 dBu			

※This test should have been finished within 30 seconds.

#### 4. Noise Test

9-1 Set the input attenuator to "0".

9-2 Short the input with a 600 ohm load.

9-3 Measure at the output, noise level should be less than -60 dBm. (LR = 8 ohm)

9-4 Set the input attenuator to "∞", noise level should be less than -60 dBu

※Be careful that it is not affected by noise induced during this inspection.

## C. Settings after the test

The attenuator should set to "∞".

The MODE switch should set to STEREO.

## D. Others

0 dBu = 0.775 V

When measuring noise level, use a DIN audio filter.

## ■ TROUBLESHOOTING

The following table lists the main causes of abnormal operation and the corrective measures required, as well as the protective circuit operation in each case.

Indicator	Probable Cause	Remedy	Protection Circuit
CLIP indicator lights.	There is a short at a speaker terminal, amplifier terminal, or wire.	Locate and correct the cause of the short.	The PC limiter circuit operates to protect the power transistors.
	The amplifier load is excessive.	Use a speaker system with an impedance of at least 4Ω (stereo) or 8Ω (bridge).	
TEMP indicator lights.	The heat sink temperature has exceed 85°C.	Check the ventilation slots, and improve the airflow around the amplifier.	Warning by the TEMP indicator.
PROTECTION indicator lights.	The heat sink temperature has exceeded 95°C.	Check the amplifier ventilation conditions and take appropriate measures to improve airflow around the amplifier.	The thermal protection circuit operates to protect the power transistors.
	A DC voltage of ±2 V or greater was generated in the power amplifier's output circuit.	Consult your dealer or nearest Yamaha service center.	The relay operates to protect the speaker system.

# POWER AMPLIFIER

## *C160/C320/C450*

# PARTS LIST


### ■ CONTENTS

OVERALL ASSEMBLY .....	2
PA UNIT .....	4
ELECTRICAL PARTS .....	5~29
C160 .....	5
C320 .....	14
C450 .....	22

### Notes: DESTINATION ABBREVIATIONS

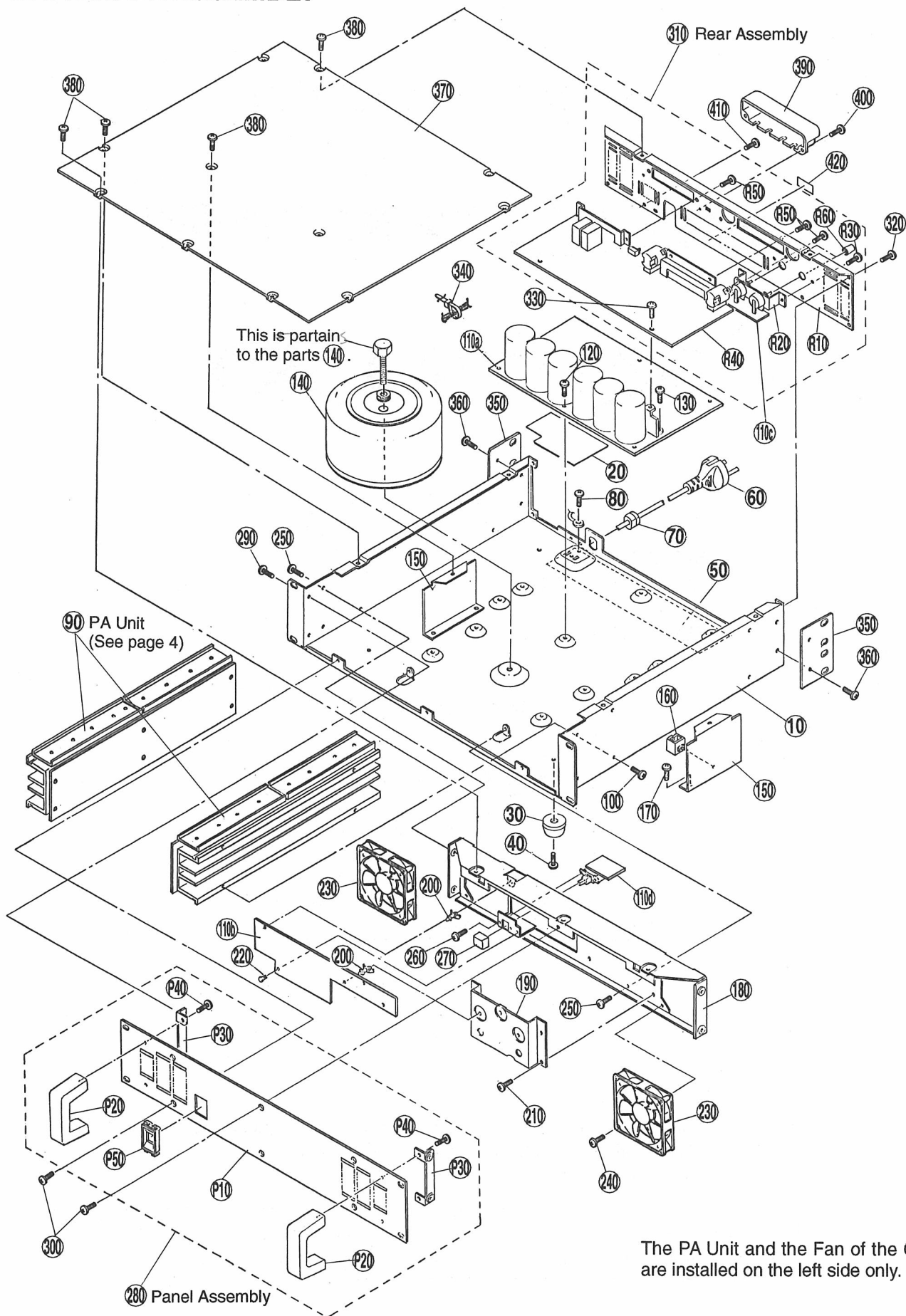
J : Japanese model	A : Australian model
U : U.S.A. model	E : European model
C : Canadian model	D : German model
X : General model	B : British model
M : South African model	I : Indonesian model
H : North European model	

### ■ WARNING

Components having special characteristics are marked  and must be replaced with parts having specification equal to those originally installed.

- The parts with “-” in “Part No.” are not available as spare parts.
- The numbers with “pc.” or “pcs” in “Remarks” shows quantities for each unit.

# OVERALL ASSEMBLY



OVERALL ASSEMBLY

REF NO.	PART NO.	DESCRIPTION	部 品 名	REMARKS	QTY	ランク
		OVERALL ASSEMBLY	U	C160 (VZ95460)		
		OVERALL ASSEMBLY	U	C320 (VZ95440)		
		OVERALL ASSEMBLY	U	C450 (VZ95420)		
10	VY936200	Main Chassis	メ イン シ ャ ー シ		12	
20	VZ056400	Insulation Sheet	絶 縁 シ ー ト		03	
30	VV085600	Leg	レ ッ グ		4	01
40	VR138400	Bind Head Tapping Screw-B	+ バ イ ン ド B タ イ ト		4	01
50	VZ056300	Screw Cover	ネ ジ カ バ ー		04	
60	VZ021200	AC Cord	電 源 コ ー ド		06	
70	VV103100	Cord Strain Relief	コ ー ド ス ト ッ パ ー		01	
80	VP156800	Bind Head Screw	+ バ イ ン ド 小 ネ ジ		01	
90	VY933200	PA Unit	P A ユ ニ ッ ト	C160	36	
90	VY933300	PA Unit	P A ユ ニ ッ ト	C320	2	41
90	VZ026600	PA Unit	P A ユ ニ ッ ト	C450	2	43
100	VR779900	Bonding Tapping Screw-B	ボ ン デ ィ ン グ B タ イ ト		4	01
110a	NX819350	Circuit Board	C D C 1 U 1 / 4 シ ー ト	C160		
110a	NX819310	Circuit Board	C D C 4 3 U 1 / 4 シ ー ト	C320/450		
110b	NX819360	Circuit Board	C D C 1 U 2 / 4 シ ー ト	C160		
110b	NX819320	Circuit Board	C D C 4 3 U 2 / 4 シ ー ト	C320/450		
110c	NX819370	Circuit Board	C D C 1 U 3 / 4 シ ー ト	C160		
110c	NX819330	Circuit Board	C D C 4 3 U 3 / 4 シ ー ト	C320/450		
110d	NX819380	Circuit Board	C D C 1 U 4 / 4 シ ー ト	C160		
110d	NX819340	Circuit Board	C D C 4 3 U 4 / 4 シ ー ト	C320/450		
120	EP600190	Bind Head Tapping Screw-B	+ バ イ ン ド B タ イ ト		6	01
130	VQ074600	Bind Head Tapping Screw-B	+ バ イ ン ド B タ イ ト		2	01
140	XT367B00	Power Transformer	電 源 ト ラ ン ス	C160	26	
140	XT370B00	Power Transformer	電 源 ト ラ ン ス	C320	32	
140	XT373B00	Power Transformer	電 源 ト ラ ン ス	C450	35	
150	VY936300	Partition Board	仕 切 板		2	03
160	VV903200	Cord Binder	束 線 止 め		01	
170	EG340190	Bind Head Tapping Screw-B	+ バ イ ン ド B タ イ ト		4	01
180	VY934700	Front Chassis	フ ロ ン ト シ ャ ー シ		08	
190	VY934800	Angle Bracket, Attenuation	ア ッ テ ン ー タ ー ア ン グ ル		03	
200	Z336600	PCB Support	P C B サ ポ ー ト		4	01
210	EP600190	Bind Head Tapping Screw-B	+ バ イ ン ド B タ イ ト		4	01
220	VZ336400	Plastic Rivet	フ ラ リ ベ ッ ト		01	
230	VY898600	Fan	D C フ ァ ン	C160	09	
230	VY898600	Fan	D C フ ァ ン	C320/450	2	09
240	VQ866300	Bind Head Screw	+ バ イ ン ド 小 ネ ジ	C160	4	01
240	VQ866300	Bind Head Screw	+ バ イ ン ド 小 ネ ジ	C320/450	8	01
250	EG340190	Bind Head Tapping Screw-B	+ バ イ ン ド B タ イ ト		6	01
260	VB659000	Bind Head Screw	+ バ イ ン ド 小 ネ ジ		2	01
270	VU859000	Power Switch Knob	P S W ノ ブ	POWER	01	
280	--	Panel Assembly	パ ネ ル A s s ' y	C160 (VZ95500)		
280	--	Panel Assembly	パ ネ ル A s s ' y	C320 (VZ95490)		
280	--	Panel Assembly	パ ネ ル A s s ' y	C450 (VZ95480)		
290	EG340190	Bind Head Tapping Screw-B	+ バ イ ン ド B タ イ ト		4	01
300	VS153600	Oval Head Screw	+ 丸 皿 小 ネ ジ		6	01
310	--	Rear Assembly	リ ア A s s ' y	C160 (VZ95550)		
310	--	Rear Assembly	リ ア A s s ' y	C320 (VZ95530)		
310	--	Rear Assembly	リ ア A s s ' y	C450 (VZ95510)		
320	VR779900	Bonding Tapping Screw-B	ボ ン デ ィ ン グ B タ イ ト		6	01
330	EP600190	Bind Head Tapping Screw-B	+ バ イ ン ド B タ イ ト		2	01
340	VV104600	Cord Holder	イ ン シ ュ ロ ッ ク タ イ		6	01
350	VY937100	Rear Angle	リ ア ア ン グ ル		2	03
360	EG340190	Bind Head Tapping Screw-B	+ バ イ ン ド B タ イ ト		4	01
370	VY937600	Top Cover	ト ッ プ カ バ ー		10	
380	EG340190	Bind Head Tapping Screw-B	+ バ イ ン ド B タ イ ト		11	01
390	VY938700	Cover, Speaker Terminal	S P タ ー ミ ナ ル カ バ ー		03	
400	EP600190	Bind Head Tapping Screw-B	+ バ イ ン ド B タ イ ト		2	01
410	VP156800	Bind Head Screw	+ バ イ ン ド 小 ネ ジ		01	
420	--	Label	ラ ベ ル	(VA03930)		

\* New Parts (新規部品)

ランク : Japan only

Panel Assembly

REF NO.	PART NO.	DESCRIPTION	部 品 名	REMARKS	QTY	ランク
		PANEL ASSEMBLY	U	C160 (VZ95500)		
		PANEL ASSEMBLY	U	C320 (VZ95490)		
		PANEL ASSEMBLY	U	C450 (VZ95480)		
* P10	VZ955900	Front Panel	C160			
* P10	VZ955800	Front Panel	C320			
* P10	VZ955700	Front Panel	C450			
P20	VY938100	Handle	ZINC ALLOY		2	05
P30	VY937500	Angle, Handle	Q150/350/500		2	03
P40	VB764900	Bind Head Screw	SP 4.0X16 MFZN2Y		4	01
P50	VU859100	Escutcheon, Power Switch	SR200			

\* New Parts (新規部品)

ランク : Japan only

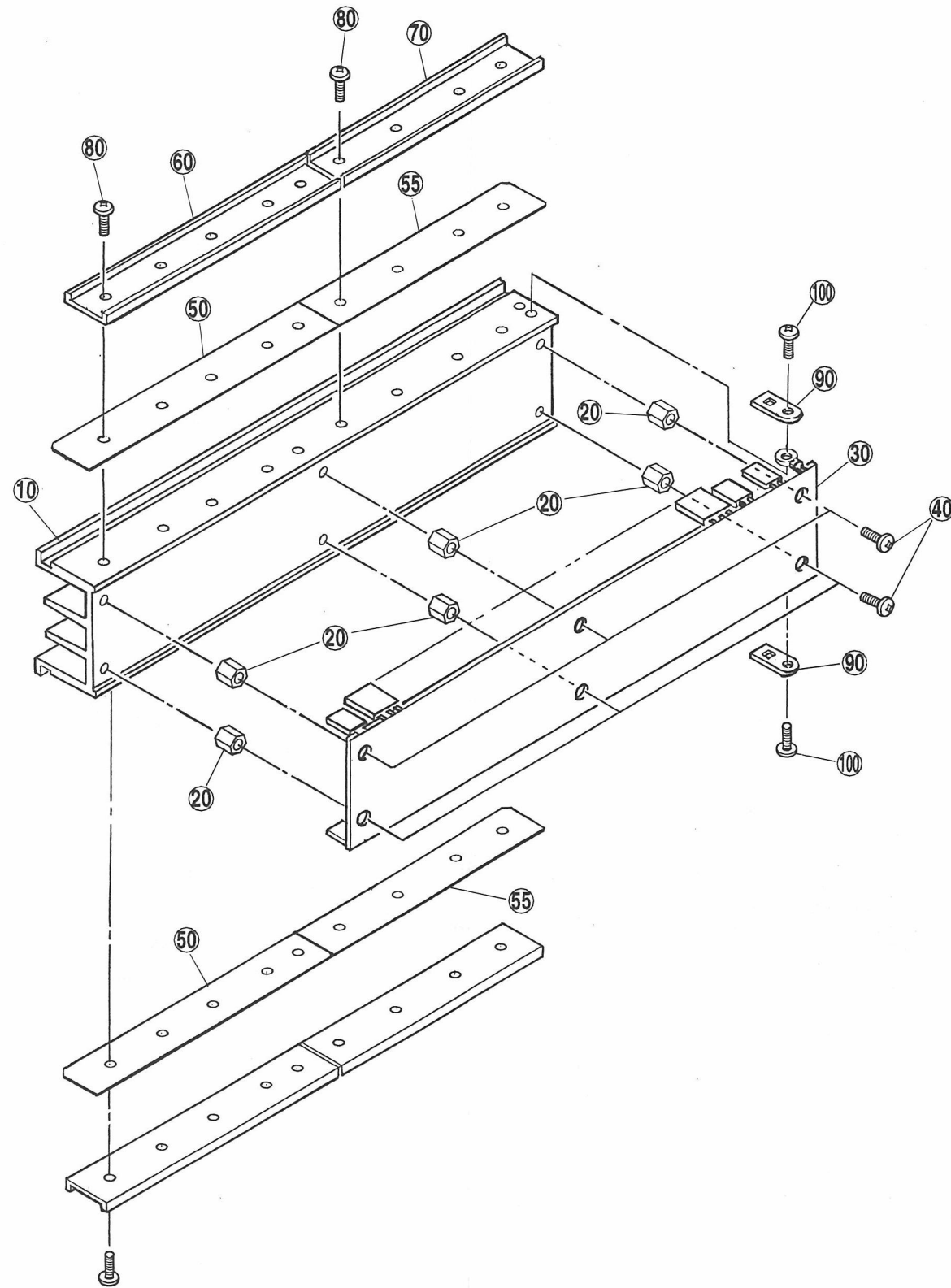
Rear Assembly

REF NO.	PART NO.	DESCRIPTION	部 品 名	REMARKS	QTY	ランク
		REAR ASSEMBLY	U	C160 (VZ95550)		
		REAR ASSEMBLY	U	C320 (VZ95530)		
		REAR ASSEMBLY	U	C450 (VZ95510)		
* R10	VZ956400	Rear Panel	U C160			
* R10	VZ956200	Rear Panel	U C320			
* R10	VZ956000	Rear Panel	U C450			
* R20	VZ956800	VR Angle	C-SERIES			
* R30	VN413300	Bonding Tapping Screw-B	3.0X8 MFZN2BL			
* R40	V0077900	Circuit Board	CIN1 J		2	01
* R40	V0078000	Circuit Board	CIN35 J			
R50	VN413300	Bonding Tapping Screw-B	3.0X8 MFZN2BL		8	01
R60	VP779100	Knob	MS10111 R/B	CHANNEL A/B	2	03

\* New Parts (新規部品)

ランク : Japan only

PA UNIT



● C160

REF. NO.	PART NO.	DESCRIPTION	部 品 名	REMARKS	QTY	ランク
10	VY933200	PA UNIT	P A ユ ニ ッ ト	C160		36
20	VV086500	Support	ヒートシンク (L)		6	01
30	VZ013500	Circuit Board	支 柱		6	01
40	EG330290	Bind Head Screw	PA1 J		6	01
50	VY898500	Isolation Sheet	SP 3.0X8 MFZN2Y	+ バインド小ネジ	6	01
55	VZ056200	Isolation Sheet	A UNISHEET T=0.15	放熱シート A	2	05
60	VY936700	Holder	B UNISHEET T=0.15	放熱シート B	2	05
70	VY936900	Holder	A	T r 押え金具 A	2	03
80	VQ074600	Bind Head Tapping Screw-B	C	T r 押え金具 C	2	03
90	VY936500	Holder	3.0X12 MFZN2BL	+ バインドBタイト	18	01
100	VQ074600	Bind Head Tapping Screw-B	Q150/350/500	ポジスタホルダー	2	01
			3.0X12 MFZN2BL	+ バインドBタイト	2	01

\* New Parts (新規部品)

ランク : Japan only

● C320

REF. NO.	PART NO.	DESCRIPTION	部 品 名	REMARKS	QTY	ランク
10	VY933300	PA UNIT	P A ユ ニ ッ ト	C320		41
20	VV086500	Support	ヒートシンク (L)		6	01
30	VZ013400	Circuit Board	支 柱		6	01
40	EG330290	Bind Head Screw	PA3	P A 3 シート	6	01
50	VY898500	Isolation Sheet	SP 3.0X8 MFZN2Y	+ バインド小ネジ	6	01
55	VZ056200	Isolation Sheet	A UNISHEET T=0.15	放熱シート A	2	05
60	VY936700	Holder	B UNISHEET T=0.15	放熱シート B	2	05
70	VY936800	Holder	A	T r 押え金具 A	2	03
80	VQ074600	Bind Head Tapping Screw-B	B	T r 押え金具 B	2	03
90	VY936500	Holder	3.0X12 MFZN2BL	+ バインドBタイト	18	01
100	VQ074600	Bind Head Tapping Screw-B	Q150/350/500	ポジスタホルダー	2	01
			3.0X12 MFZN2BL	+ バインドBタイト	2	01

\* New Parts (新規部品)

ランク : Japan only

● C450

REF. NO.	PART NO.	DESCRIPTION	部 品 名	REMARKS	QTY	ランク
10	VZ026600	PA UNIT	P A ユ ニ ッ ト	C450		43
20	VV086500	Support	ヒートシンク (L)		6	01
30	VZ013300	Circuit Board	支 柱		6	01
40	EG330290	Bind Head Screw	PA5	P A 5 シート	6	01
50	VY898500	Isolation Sheet	SP 3.0X8 MFZN2Y	+ バインド小ネジ	6	01
55	VZ056200	Isolation Sheet	A UNISHEET T=0.15	放熱シート A	2	05
60	VY936700	Holder	B UNISHEET T=0.15	放熱シート B	2	05
70	VY936800	Holder	A	T r 押え金具 A	2	03
80	VQ074600	Bind Head Tapping Screw-B	B	T r 押え金具 B	2	03
90	VY936500	Holder	3.0X12 MFZN2BL	+ バインドBタイト	18	01
100	VQ074600	Bind Head Tapping Screw-B	Q150/350/500	ポジスタホルダー	2	01
			3.0X12 MFZN2BL	+ バインドBタイト	2	01

\* New Parts (新規部品)

ランク : Japan only

# C160 ELECTRICAL PARTS

REF NO.	PART NO.	DESCRIPTION	部 品 名	REMARKS	QTY	ランク
	--	ELECTRICAL PARTS	電 気 部 品	C160		
		Circuit Board Assembly	CDC1U U	CDC1Uシート集成	(V007700)	
*	<b>NX819350</b>	Circuit Board	CDC1U 1/4 U	CDC1U1/4シート	(XT214D0)	
*	<b>NX819360</b>	Circuit Board	CDC1U 2/4 U	CDC1U2/4シート	(XT214D0)	
*	<b>NX819370</b>	Circuit Board	CDC1U 3/4 U	CDC1U3/4シート	(XT214D0)	
*	<b>NX819380</b>	Circuit Board	CDC1U 4/4 U	CDC1U4/4シート	(XT214D0)	
*	<b>V0077900</b>	Circuit Board	CIN1	C I N 1 シ ー ト	(XT284D0)	
*	<b>VZ013500</b>	Circuit Board	PA1	P A 1 シ ー ト	(XT283B0)	33
	<b>NX819350</b>	Circuit Board	CDC1U 1/4 U	CDC1U1/4シート	(XT214D0)	
*	<b>NX819360</b>	Circuit Board	CDC1U 2/4 U	CDC1U2/4シート	(XT214D0)	
*	<b>NX819370</b>	Circuit Board	CDC1U 3/4 U	CDC1U3/4シート	(XT214D0)	
*	<b>NX819380</b>	Circuit Board	CDC1U 4/4 U	CDC1U4/4シート	(XT214D0)	
	<b>VB763800</b>	Bind Head Screw	SP 3.0X12 MFZN2Y	+ バインド小ネジ		01
	<b>VV319600</b>	Fuse Holder	CQ-05CT	ヒューズホルダ		01
	<b>VV307300</b>	LED Spacer	SR200	L E D ス ペ ー サ		01
	<b>VV291400</b>	Jumper Wire	0.6	ジャンパー線		01
C101	<b>VZ004400</b>	Mylar Capacitor	0.1000 400V M	フィルムコン		01
C102	<b>VZ004400</b>	Mylar Capacitor	0.1000 400V M	フィルムコン		01
C105	<b>VY897000</b>	Electrolytic Cap.	6800 100V	ケミコン		08
C106	<b>VY897000</b>	Electrolytic Cap.	6800 100V	ケミコン		08
C110	<b>UJ659100</b>	Electrolytic Cap.	1000 35.0V	ケミコン		02
C111	<b>UJ659100</b>	Electrolytic Cap.	1000 35.0V	ケミコン		02
C112	<b>FG652100</b>	Ceramic Capacitor-SL	100P 50V J	セラコン ( S L )		01
△ C116	<b>VV314800</b>	Capacitor	1000P 400V J.U.C.S	規格認定コン		01
C121	<b>FG613100</b>	Ceramic Capacitor-B	1000P 50V K	セラコン B		01
C124	<b>FG613100</b>	Ceramic Capacitor-B	1000P 50V K	セラコン B		01
D101	<b>VR149900</b>	Diode Stack	D25XB60 25.0A 600V	ダイオードスタック		06
D102	<b>VU801600</b>	Diode	1N4004L 26	ダイオード		01
D103	<b>VU801600</b>	Diode	1N4004L 26	ダイオード		01
D104	<b>VU801600</b>	Diode	1N4004L 26	ダイオード		01
D105	<b>VU801600</b>	Diode	1N4004L 26	ダイオード		01
D106	<b>VU801600</b>	Diode	1N4004L 26	ダイオード		01
D108	<b>VD631600</b>	Diode	1SS133,176,HSS104	ダイオード		01
D109	<b>VD631600</b>	Diode	1SS133,176,HSS104	ダイオード		01
D110	<b>VG437700</b>	Zener Diode	MTZ J 5.6B 5.6V	ツェナーダイオード		01
D111	<b>VG437700</b>	Zener Diode	MTZ J 5.6B 5.6V	ツェナーダイオード		01
D112	<b>VG437700</b>	Zener Diode	MTZ J 5.6B 5.6V	ツェナーダイオード		01
D113	<b>VV621000</b>	LED	LT321-41-C13 GR	L E D	SIGNAL A	01
D114	<b>VV620800</b>	LED	LT311G-41-C13 RE	L E D	CLIP A	01
D115	<b>VV621000</b>	LED	LT321-41-C13 GR	L E D	SIGNAL B	01
D116	<b>VV620800</b>	LED	LT311G-41-C13 RE	L E D	CLIP B	01
D117	<b>VV620800</b>	LED	LT311G-41-C13 RE	L E D	TEMP	01
D118	<b>VV620800</b>	LED	LT311G-41-C13 RE	L E D	PROTECTION	01
D119	<b>VV620800</b>	LED	LT311G-41-C13 RE	L E D	POWER	01
△ F101	<b>VS823400</b>	Fuse	10.00A JUC	ヒューズ		01
F103	<b>VV070300</b>	Fuse	TDS 1A 250V J/U/C	ヒューズ		01
F104	<b>VV070300</b>	Fuse	TDS 1A 250V J/U/C	ヒューズ		01
H101	<b>VY937700</b>	Heat Sink	S	ヒートシンク ( S )		05
J101	<b>VV291400</b>	Jumper Wire	0.6	ジャンパー線		01
J102	<b>VV291400</b>	Jumper Wire	0.6	ジャンパー線		01
P101	<b>VZ336500</b>	Plastic Rivet	PR-08T GIN LIAN	ブラリベット		01
Q101	<b>IA111520</b>	Transistor	2SA1115 E,F	トランジスタ		01
Q102	<b>IC260320</b>	Transistor	2SC2603 E,F	トランジスタ		01
Q103	<b>IC260320</b>	Transistor	2SC2603 E,F	トランジスタ		01
Q104	<b>IC260320</b>	Transistor	2SC2603 E,F	トランジスタ		01
Q105	<b>IA111520</b>	Transistor	2SA1115 E,F	トランジスタ		01
Q106	<b>IC260320</b>	Transistor	2SC2603 E,F	トランジスタ		01
Q107	<b>VD678500</b>	Digital Transistor	DTA114ES	デジタルトランジスタ		03
Q108	<b>IC260320</b>	Transistor	2SC2603 E,F	トランジスタ		01
Q109	<b>VD678500</b>	Digital Transistor	DTA114ES	デジタルトランジスタ		03
Q110	<b>IC260320</b>	Transistor	2SC2603 E,F	トランジスタ		01
Q111	<b>IA111520</b>	Transistor	2SA1115 E,F	トランジスタ		01
Q112	<b>VS883300</b>	Transistor	2SB1565 E,F	トランジスタ		01
Q113	<b>IC260320</b>	Transistor	2SC2603 E,F	トランジスタ		01
Q114	<b>VD678500</b>	Digital Transistor	DTA114ES	デジタルトランジスタ		03
Q115	<b>VD678500</b>	Digital Transistor	DTA114ES	デジタルトランジスタ		03
Q116	<b>VD678700</b>	Digital Transistor	DTC114ES	デジタルトランジスタ		03
Q117	<b>IC260320</b>	Transistor	2SC2603 E,F	トランジスタ		01

\* New Parts (新規部品)

ランク : Japan only

REF NO.	PART NO.	DESCRIPTION	部 品 名	REMARKS	QTY	5/2
Q118	VD678500	Digital Transistor	DTA114ES	デジタルトランジスタ		03
Q119	VD678500	Digital Transistor	DTA114ES	デジタルトランジスタ		03
Q120	VD678700	Digital Transistor	DTC114ES	デジタルトランジスタ		03
Q121	VD678500	Digital Transistor	DTA114ES	デジタルトランジスタ		03
R101	HF457150	Carbon Resistor	15.0K 1/4 J	カーボン抵抗		01
R102	HF457220	Carbon Resistor	22.0K 1/4 J	カーボン抵抗		01
R103	HF457470	Carbon Resistor	47.0K 1/4 J	カーボン抵抗		01
R104	HF458150	Carbon Resistor	150.0K 1/4 J	カーボン抵抗		01
R105	HF458100	Carbon Resistor	100.0K 1/4 J	カーボン抵抗		01
R106	HF457100	Carbon Resistor	10.0K 1/4 J	カーボン抵抗		01
R107	HF457560	Carbon Resistor	56.0K 1/4 J	カーボン抵抗		01
R108	HF457680	Carbon Resistor	68.0K 1/4 J	カーボン抵抗		01
R109	HF456680	Carbon Resistor	6.8K 1/4 J	カーボン抵抗		01
R110	HF457560	Carbon Resistor	56.0K 1/4 J	カーボン抵抗		01
R111	HF457100	Carbon Resistor	10.0K 1/4 J	カーボン抵抗		01
R112	HF456820	Carbon Resistor	8.2K 1/4 J	カーボン抵抗		01
R113	HF456820	Carbon Resistor	8.2K 1/4 J	カーボン抵抗		01
R114	HF455220	Carbon Resistor	220.0 1/4 J	カーボン抵抗		01
R115	HF455220	Carbon Resistor	220.0 1/4 J	カーボン抵抗		01
R116	HF456470	Carbon Resistor	4.7K 1/4 J	カーボン抵抗		01
R117	HF457100	Carbon Resistor	10.0K 1/4 J	カーボン抵抗		01
R118	HF455220	Carbon Resistor	220.0 1/4 J	カーボン抵抗		01
R119	HF456470	Carbon Resistor	4.7K 1/4 J	カーボン抵抗		01
R120	HF455220	Carbon Resistor	220.0 1/4 J	カーボン抵抗		01
R121	HF456120	Carbon Resistor	1.2K 1/4 J	カーボン抵抗		01
R122	HF456120	Carbon Resistor	1.2K 1/4 J	カーボン抵抗		01
R123	HF456120	Carbon Resistor	1.2K 1/4 J	カーボン抵抗		01
R124	HF456120	Carbon Resistor	1.2K 1/4 J	カーボン抵抗		01
R125	HF456470	Carbon Resistor	4.7K 1/4 J	カーボン抵抗		01
R126	HF457100	Carbon Resistor	10.0K 1/4 J	カーボン抵抗		01
R127	HF455220	Carbon Resistor	220.0 1/4 J	カーボン抵抗		01
R128	HF456470	Carbon Resistor	4.7K 1/4 J	カーボン抵抗		01
R129	HF455220	Carbon Resistor	220.0 1/4 J	カーボン抵抗		01
R130	HF456120	Carbon Resistor	1.2K 1/4 J	カーボン抵抗		01
R131	HF456120	Carbon Resistor	1.2K 1/4 J	カーボン抵抗		01
R132	HF456120	Carbon Resistor	1.2K 1/4 J	カーボン抵抗		01
R133	HF456120	Carbon Resistor	1.2K 1/4 J	カーボン抵抗		01
R134	HF456120	Carbon Resistor	1.2K 1/4 J	カーボン抵抗		01
R135	HF456120	Carbon Resistor	1.2K 1/4 J	カーボン抵抗		01
R136	HF457820	Carbon Resistor	82.0K 1/4 J	カーボン抵抗		01
R137	HF456120	Carbon Resistor	1.2K 1/4 J	カーボン抵抗		01
R138	HF456120	Carbon Resistor	1.2K 1/4 J	カーボン抵抗		01
R139	HF456120	Carbon Resistor	1.2K 1/4 J	カーボン抵抗		01
R140	HF456120	Carbon Resistor	1.2K 1/4 J	カーボン抵抗		01
W101	--	Connector Assembly	E	東線	(VZ01490)	
W102	--	Connector Assembly	--B PRE	東線	(VZ01470)	
W103	--	Connector Assembly	--B PA	東線	(VZ01480)	
W105	--	Connector Assembly	P.SW YE	東線	(VZ01450)	
W106	--	Connector Assembly	P.SW BR	東線	(VZ01460)	
W202	--	Connector Assembly	2426&2426 10P 200L	東線 # 2 8	(VZ01550)	
W205	--	Connector Assembly	2426&2426 3P 350L	東線 # 2 8	(VZ50070)	
W218	--	Connector Assembly	VR C450	東線	(V004420)	
W219	--	Connector Assembly	2426&2426 9P 450L	東線 # 2 8	(VZ01540)	
CN101	LB932030	Base Post Connector	VH- 3P TE	ベースポスト		01
CN102	VV067000	Connector Base Post	M2426XX 10P TE	コネクタベースポスト		01
CN105	VV066300	Connector Base Post	M2426XX 3P TE	コネクタベースポスト		01
CN106	VV066900	Connector Base Post	M2426XX 9P TE	コネクタベースポスト		01
CN107	VZ005700	Fasten Terminal	TP82223-22	ファストン端子		01
CN108	VZ005700	Fasten Terminal	TP82223-22	ファストン端子		01
CN109	VZ005700	Fasten Terminal	TP82223-22	ファストン端子		01
CN110	VZ005700	Fasten Terminal	TP82223-22	ファストン端子		01
CN111	VZ005700	Fasten Terminal	TP82223-22	ファストン端子		01
CN112	VZ005700	Fasten Terminal	TP82223-22	ファストン端子		01
CN114	VZ005700	Fasten Terminal	TP82223-22	ファストン端子		01
CN115	VZ005700	Fasten Terminal	TP82223-22	ファストン端子		01
CN117	VZ005700	Fasten Terminal	TP82223-22	ファストン端子		01
CN118	VV066600	Connector Base Post	M2426XX 6P TE	コネクタベースポスト		01
CN119	VV066900	Connector Base Post	M2426XX 9P TE	コネクタベースポスト		01
CN120	VV066200	Connector Base Post	M2426XX 2P TE	コネクタベースポスト		01

\* New Parts (新規部品)

ランク : Japan only



REF NO.	PART NO.	DESCRIPTION		部 品 名	REMARKS	QTY	ランク
CN121	VV066200	Connector Base Post	M2426XX 2P TE	コネクタベースポスト			01
SW101	VY898100	Push Switch	SDDFA3107U-YL UCS	プッシュスイッチ	POWER		05
VR101	VI575600	Rotary Variable Resistor	5K	ロータリーVR	CHANNEL A		03
VR102	VI575600	Rotary Variable Resistor	5K	ロータリーVR	CHANNEL B		03
	V0077900	Circuit Board	CIN1 J	CIN1シート	(XT284D0)		
	EP600140	Bind Head Tapping Screw-B	3.0X10 MFZN2BL	+ バインドBタイト			01
	VV291400	Jumper Wire	0.6	ジャンパー線			01
C101	FU451560	Mica Capacitor	56P 500V J	マイカコン			
C102	FU451560	Mica Capacitor	56P 500V J	マイカコン			
C103	FG644100	Ceramic Capacitor-F	0.0100 50V Z	セラコン F			01
C104	FG644100	Ceramic Capacitor-F	0.0100 50V Z	セラコン F			01
C105	FU451100	Mica Capacitor	10P 500V D	マイカコン			01
C106	VZ004000	Electrolytic Cap.-SK	2.2 200.0V	ケミコン SK			01
C107	VZ004000	Electrolytic Cap.-SK	2.2 200.0V	ケミコン SK			01
C109	FU451330	Mica Capacitor	33P 500V J	マイカコン			01
C110	FG652100	Ceramic Capacitor-SL	100P 50V J	セラコン (S L)			01
C112	VV060100	Mylar Capacitor	1500P 50V J	マイラーコン			08
C113	VZ004200	Mylar Capacitor	0.1000 100V M	フィルムコン			01
C114	VZ004200	Mylar Capacitor	0.1000 100V M	フィルムコン			01
C115	VZ012200	Ceramic Capacitor-B	0.001 500V K	セラコン B			01
C116	VZ012200	Ceramic Capacitor-B	0.001 500V K	セラコン B			01
C201	FU451560	Mica Capacitor	56P 500V J	マイカコン			
C202	FU451560	Mica Capacitor	56P 500V J	マイカコン			
C203	FG644100	Ceramic Capacitor-F	0.0100 50V Z	セラコン F			01
C204	FG644100	Ceramic Capacitor-F	0.0100 50V Z	セラコン F			01
C206	VZ004000	Electrolytic Cap.-SK	2.2 200.0V	ケミコン SK			01
C207	VZ004000	Electrolytic Cap.-SK	2.2 200.0V	ケミコン SK			01
C209	FU451330	Mica Capacitor	33P 500V J	マイカコン			01
C210	FG652100	Ceramic Capacitor-SL	100P 50V J	セラコン (S L)			01
C212	VV060100	Mylar Capacitor	1500P 50V J	マイラーコン			08
C213	VZ004200	Mylar Capacitor	0.1000 100V M	フィルムコン			01
C214	VZ004200	Mylar Capacitor	0.1000 100V M	フィルムコン			01
C215	VZ012200	Ceramic Capacitor-B	0.001 500V K	セラコン B			01
C216	VZ012200	Ceramic Capacitor-B	0.001 500V K	セラコン B			01
D101	VD631600	Diode	1SS133,176,HSS104	ダイオード			01
D102	VD631600	Diode	1SS133,176,HSS104	ダイオード			01
D103	VD631600	Diode	1SS133,176,HSS104	ダイオード			01
D104	VD631600	Diode	1SS133,176,HSS104	ダイオード			01
D105	VD631600	Diode	1SS133,176,HSS104	ダイオード			01
D106	VD631600	Diode	1SS133,176,HSS104	ダイオード			01
D107	VU801600	Diode	1N4004L 26	ダイオード			01
D201	VD631600	Diode	1SS133,176,HSS104	ダイオード			01
D202	VD631600	Diode	1SS133,176,HSS104	ダイオード			01
D203	VD631600	Diode	1SS133,176,HSS104	ダイオード			01
D204	VD631600	Diode	1SS133,176,HSS104	ダイオード			01
D205	VD631600	Diode	1SS133,176,HSS104	ダイオード			01
D206	VD631600	Diode	1SS133,176,HSS104	ダイオード			01
L101	VR150900	Coil	RZ-001 21MM	空芯コイル			02
L201	VR150900	Coil	RZ-001 21MM	空芯コイル			02
Q101	VU418400	Transistor	2SA1371 D,E	トランジスタ			01
Q102	VU418400	Transistor	2SA1371 D,E	トランジスタ			01
Q103	VU418400	Transistor	2SA1371 D,E	トランジスタ			01
Q104	VU418600	Transistor	2SC3468 D,E	トランジスタ			01
Q105	IC1815M0	Transistor	2SC1815 Y,GR	トランジスタ			01
Q106	IC1815M0	Transistor	2SC1815 Y,GR	トランジスタ			01
Q107	IC1815M0	Transistor	2SC1815 Y,GR	トランジスタ			01
Q108	VR152800	Transistor	2SA1480 E,F	トランジスタ			02
Q109	IA101590	Transistor	2SA1015 O,Y	トランジスタ			01
Q110	VR152900	Transistor	2SC3790 E,F	トランジスタ			02
Q201	VU418400	Transistor	2SA1371 D,E	トランジスタ			01
Q202	VU418400	Transistor	2SA1371 D,E	トランジスタ			01
Q203	VU418400	Transistor	2SA1371 D,E	トランジスタ			01
Q204	VU418600	Transistor	2SC3468 D,E	トランジスタ			01
Q205	IC1815M0	Transistor	2SC1815 Y,GR	トランジスタ			01
Q206	IC1815M0	Transistor	2SC1815 Y,GR	トランジスタ			01
Q207	IC1815M0	Transistor	2SC1815 Y,GR	トランジスタ			01
Q208	VR152800	Transistor	2SA1480 E,F	トランジスタ			02
Q209	IA101590	Transistor	2SA1015 O,Y	トランジスタ			01

\* New Parts (新規部品)

ランク : Japan only

REF. NO.	PART NO.	DESCRIPTION	部 品 名	REMARKS	QTY	ランク
Q210	VR152900	Transistor	ト ラ ン ジ ス 夕			02
R101	VZ009900	Metal Film Resistor	金 属 被 膜 抵 抗			01
R102	VZ009900	Metal Film Resistor	金 属 被 膜 抵 抗			01
R103	VZ009900	Metal Film Resistor	金 属 被 膜 抵 抗			01
R104	VZ009900	Metal Film Resistor	金 属 被 膜 抵 抗			01
R105	HF454180	Carbon Resistor	力 ー ボ ン 抵 抗			01
R106	VV065200	Metal Film Resistor	金 属 被 膜 抵 抗			05
R107	VV065200	Metal Film Resistor	金 属 被 膜 抵 抗			05
R108	HF454180	Carbon Resistor	力 ー ボ ン 抵 抗			01
R109	HF456470	Carbon Resistor	力 ー ボ ン 抵 抗			01
R110	HF457220	Carbon Resistor	力 ー ボ ン 抵 抗			01
R111	VZ010600	Metal Film Resistor	金 属 被 膜 抵 抗			01
R112	VV065600	Metal Film Resistor	金 属 被 膜 抵 抗			05
R113	VV065600	Metal Film Resistor	金 属 被 膜 抵 抗			05
R114	HF455560	Carbon Resistor	力 ー ボ ン 抵 抗			01
R115	HF457100	Carbon Resistor	力 ー ボ ン 抵 抗			01
R116	HF458330	Carbon Resistor	力 ー ボ ン 抵 抗			01
R117	HF455560	Carbon Resistor	力 ー ボ ン 抵 抗			01
R118	HF455560	Carbon Resistor	力 ー ボ ン 抵 抗			01
R119	HF455200	Carbon Resistor	力 ー ボ ン 抵 抗			01
R120	HF457470	Carbon Resistor	力 ー ボ ン 抵 抗			01
R121	HF457470	Carbon Resistor	力 ー ボ ン 抵 抗			01
R122	HF455220	Carbon Resistor	力 ー ボ ン 抵 抗			01
R123	HF457470	Carbon Resistor	力 ー ボ ン 抵 抗			01
R124	HF457470	Carbon Resistor	力 ー ボ ン 抵 抗			01
R125	HF457470	Carbon Resistor	力 ー ボ ン 抵 抗			01
R126	HF457470	Carbon Resistor	力 ー ボ ン 抵 抗			01
R127	HF455330	Carbon Resistor	力 ー ボ ン 抵 抗			01
R128	HF455330	Carbon Resistor	力 ー ボ ン 抵 抗			01
R129	VZ009400	Flame Proof C. Resistor	不 燃 化 カ ー ボ ン 抵 抗			01
R130	VZ009400	Flame Proof C. Resistor	不 燃 化 カ ー ボ ン 抵 抗			01
R131	VY997600	Metal Oxide Film Resistor	サ ン キ ン 抵 抗			01
R132	VY997600	Metal Oxide Film Resistor	サ ン キ ン 抵 抗			01
R133	VV276700	Flame Proof C. Resistor	不 燃 化 カ ー ボ ン 抵 抗			01
R134	HF457270	Carbon Resistor	力 ー ボ ン 抵 抗			01
R135	HF458150	Carbon Resistor	力 ー ボ ン 抵 抗			01
R136	HF456100	Carbon Resistor	力 ー ボ ン 抵 抗			01
R201	VZ009900	Metal Film Resistor	金 属 被 膜 抵 抗			01
R202	VZ009900	Metal Film Resistor	金 属 被 膜 抵 抗			01
R203	VZ009900	Metal Film Resistor	金 属 被 膜 抵 抗			01
R204	VZ009900	Metal Film Resistor	金 属 被 膜 抵 抗			01
R205	HF454180	Carbon Resistor	力 ー ボ ン 抵 抗			01
R210	HF457220	Carbon Resistor	力 ー ボ ン 抵 抗			01
R211	VZ010600	Metal Film Resistor	金 属 被 膜 抵 抗			01
R212	VV065600	Metal Film Resistor	金 属 被 膜 抵 抗			05
R213	VV065600	Metal Film Resistor	金 属 被 膜 抵 抗			05
R214	HF455560	Carbon Resistor	力 ー ボ ン 抵 抗			01
R215	HF457100	Carbon Resistor	力 ー ボ ン 抵 抗			01
R216	HF458330	Carbon Resistor	力 ー ボ ン 抵 抗			01
R217	HF455560	Carbon Resistor	力 ー ボ ン 抵 抗			01
R218	HF455560	Carbon Resistor	力 ー ボ ン 抵 抗			01
R219	HF455200	Carbon Resistor	力 ー ボ ン 抵 抗			01
R220	HF457470	Carbon Resistor	力 ー ボ ン 抵 抗			01
R221	HF457470	Carbon Resistor	力 ー ボ ン 抵 抗			01
R222	HF455220	Carbon Resistor	力 ー ボ ン 抵 抗			01
R223	HF457470	Carbon Resistor	力 ー ボ ン 抵 抗			01
R224	HF457470	Carbon Resistor	力 ー ボ ン 抵 抗			01
R225	HF457470	Carbon Resistor	力 ー ボ ン 抵 抗			01
R226	HF457470	Carbon Resistor	力 ー ボ ン 抵 抗			01
R227	HF455330	Carbon Resistor	力 ー ボ ン 抵 抗			01
R228	HF455330	Carbon Resistor	力 ー ボ ン 抵 抗			01
R229	VZ009400	Flame Proof C. Resistor	不 燃 化 カ ー ボ ン 抵 抗			01
R230	VZ009400	Flame Proof C. Resistor	不 燃 化 カ ー ボ ン 抵 抗			01
R231	VY997600	Metal Oxide Film Resistor	サ ン キ ン 抵 抗			01
R232	VY997600	Metal Oxide Film Resistor	サ ン キ ン 抵 抗			01
R233	VV276700	Flame Proof C. Resistor	不 燃 化 カ ー ボ ン 抵 抗			01
R234	HF457270	Carbon Resistor	力 ー ボ ン 抵 抗			01
R235	HF458150	Carbon Resistor	力 ー ボ ン 抵 抗			01
R236	HF456100	Carbon Resistor	力 ー ボ ン 抵 抗			01

\* New Parts (新規部品)

ランク : Japan only

REF NO.	PART NO.	DESCRIPTION	部 品 名	REMARKS	QTY	ランク
T101	VY937000	Terminal Angle	Q150/350/500	ターミナルアングル		03
T102	VZ956700	Terminal Angle	C-SERIES 4P	ターミナルアングル 4P		
CN101	VY898000	Lug Terminal	DT-55-A14W-06	貫通端子台		05
CN102	VV066600	Connector Base Post	M2426XX 6P TE	コネクタベースポスト		01
CN103	LB932020	Base Post Connector	VH- 2P TE	ベースポスト		01
CN105	VV066500	Connector Base Post	M2426XX 5P TE	コネクタベースポスト		01
CN106	VV067000	Connector Base Post	M2426XX 10P TE	コネクタベースポスト		01
CN107	LB932020	Base Post Connector	VH- 2P TE	ベースポスト		01
CN108	LB932020	Base Post Connector	VH- 2P TE	ベースポスト		01
CN207	LB932020	Base Post Connector	VH- 2P TE	ベースポスト		01
IC101	XM085A00	IC	M5238AP	IC	OP AMP	03
IC102	XK841A00	IC	NJM7818FA	IC	REGULATOR +18V	02
IC103	XK842A00	IC	NJM7918FA	IC	REGULATOR -18V	02
IC201	XM085A00	IC	M5238AP	IC	OP AMP	03
JK101	VS133800	XLM Connector	NC3FAH1-0	キャノンコネクタ	INPUT A (XLR-3-31)	04
JK201	VS133800	XLM Connector	NC3FAH1-0	キャノンコネクタ	INPUT B (XLR-3-31)	04
RY301	VV315400	Relay	DC OSA-SH-224DM3M	リレー	24V	06
SP101	V2036900	Lug Terminal	DT-55-A14W-04	貫通端子台	SPEAKERS	
SW101	VY898200	Slide Switch	SSSF123NB2-YL L=9	スライド S W	STEREO/BRIDGE/PARALLEL	01
	VZ013500	Circuit Board	PA1 J	P A 1 シ ー ト	(XT283B0)	33
	VV291400	Jumper Wire	0.6	ジャンパー線		01
C101	FG652100	Ceramic Capacitor-SL	100P 50V J	セラコン ( S L )		01
C102	FU451220	Mica Capacitor	22P 500V J	マイカコン		01
C103	FU451220	Mica Capacitor	22P 500V J	マイカコン		01
C104	FG644100	Ceramic Capacitor-F	0.0100 50V Z	セラコン F		01
C105	UJ896470	Electrolytic Cap.	4.7 100.0V	ケミコン		01
C106	UJ896470	Electrolytic Cap.	4.7 100.0V	ケミコン		01
C107	UJ847100	Electrolytic Cap.	10.00 25.0V	ケミコン		01
C108	FU451100	Mica Capacitor	10P 500V D	マイカコン		01
C109	FU452100	Mica Capacitor	100P 500V J	マイカコン		01
C110	FG644100	Ceramic Capacitor-F	0.0100 50V Z	セラコン F		01
C111	FG644100	Ceramic Capacitor-F	0.0100 50V Z	セラコン F		01
C112	FU451100	Mica Capacitor	10P 500V D	マイカコン		01
C113	FU452100	Mica Capacitor	100P 500V J	マイカコン		01
C114	VZ004000	Electrolytic Cap.-SK	2.2 200.0V	ケミコン S K		01
C115	VZ004000	Electrolytic Cap.-SK	2.2 200.0V	ケミコン S K		01
C116	VV059800	Mylar Capacitor	1000P 50V J	マイラコン		08
C117	VV059800	Mylar Capacitor	1000P 50V J	マイラコン		08
C118	VV082200	Mylar Capacitor	3.3000 100V M	フィルムコン		03
C119	VV082200	Mylar Capacitor	3.3000 100V M	フィルムコン		03
C120	VZ004000	Electrolytic Cap.-SK	2.2 200.0V	ケミコン S K		01
C121	VZ004000	Electrolytic Cap.-SK	2.2 200.0V	ケミコン S K		01
C122	FU451470	Mica Capacitor	47P 500V J	マイカコン		01
C123	FU451470	Mica Capacitor	47P 500V J	マイカコン		01
C124	VV314600	Ceramic Capacitor-B	0.0022 500V K	セラコン B		01
C125	VV314600	Ceramic Capacitor-B	0.0022 500V K	セラコン B		01
C126	FG644100	Ceramic Capacitor-F	0.0100 50V Z	セラコン F		01
C127	UJ698100	Electrolytic Cap.	100.00 100.0V	ケミコン		01
C128	UJ698100	Electrolytic Cap.	100.00 100.0V	ケミコン		01
C202	FU451220	Mica Capacitor	22P 500V J	マイカコン		01
C203	FU451220	Mica Capacitor	22P 500V J	マイカコン		01
C204	FG644100	Ceramic Capacitor-F	0.0100 50V Z	セラコン F		01
C205	UJ896470	Electrolytic Cap.	4.7 100.0V	ケミコン		01
C206	UJ896470	Electrolytic Cap.	4.7 100.0V	ケミコン		01
C207	UJ847100	Electrolytic Cap.	10.00 25.0V	ケミコン		01
C208	FU451100	Mica Capacitor	10P 500V D	マイカコン		01
C210	FG644100	Ceramic Capacitor-F	0.0100 50V Z	セラコン F		01
C211	FG644100	Ceramic Capacitor-F	0.0100 50V Z	セラコン F		01
C212	FU451100	Mica Capacitor	10P 500V D	マイカコン		01
C216	VV059800	Mylar Capacitor	1000P 50V J	マイラコン		08
C217	VV059800	Mylar Capacitor	1000P 50V J	マイラコン		08
D101	VG438900	Zener Diode	MTZ J 8.2B 8.2V	ツェナーダイオード		01
D102	VG438900	Zener Diode	MTZ J 8.2B 8.2V	ツェナーダイオード		01
D103	VN478200	Diode	D1NL20U	ダイオード		01
D104	VN478200	Diode	D1NL20U	ダイオード		01
D105	IF005560	Diode	1SS82TD	ダイオード		01
D106	VD631600	Diode	1SS133,176,HSS104	ダイオード		01
D107	IF005560	Diode	1SS82TD	ダイオード		01

\* New Parts (新規部品)

ランク : Japan only

REF. NO.	PART NO.	DESCRIPTION	部 品 名	REMARKS	QTY	ランク
D108	IF005560	Diode	1SS82TD	ダイオード		01
D109	VD631600	Diode	1SS133,176,HSS104	ダイオード		01
D110	IF005560	Diode	1SS82TD	ダイオード		01
D111	VU801600	Diode	1N4004L 26	ダイオード		01
D112	VU801600	Diode	1N4004L 26	ダイオード		01
D113	VU801600	Diode	1N4004L 26	ダイオード		01
D114	VU801600	Diode	1N4004L 26	ダイオード		01
D115	VD631600	Diode	1SS133,176,HSS104	ダイオード		01
D116	VN771700	Diode	D1NS4	ダイオード		01
D117	VN771700	Diode	D1NS4	ダイオード		01
D118	VN478200	Diode	D1NL20U	ダイオード		01
D119	VN478200	Diode	D1NL20U	ダイオード		01
D120	VN771700	Diode	D1NS4	ダイオード		01
D121	VN771700	Diode	D1NS4	ダイオード		01
D122	VD631600	Diode	1SS133,176,HSS104	ダイオード		01
D123	VS135800	Diode Stack	FMX-22S 10.0A 200V	ダイオードスタック		03
D124	VS135800	Diode Stack	FMX-22S 10.0A 200V	ダイオードスタック		03
D125	VR149700	Diode Stack	D8LD40 8.0A 400V	ダイオードスタック		04
D126	VR149700	Diode Stack	D8LD40 8.0A 400V	ダイオードスタック		04
D201	VG438900	Zener Diode	MTZ J 8.2B 8.2V	ツェナーダイオード		01
D202	VG438900	Zener Diode	MTZ J 8.2B 8.2V	ツェナーダイオード		01
D203	VN478200	Diode	D1NL20U	ダイオード		01
D204	VN478200	Diode	D1NL20U	ダイオード		01
D205	IF005560	Diode	1SS82TD	ダイオード		01
D206	VD631600	Diode	1SS133,176,HSS104	ダイオード		01
D207	IF005560	Diode	1SS82TD	ダイオード		01
D208	IF005560	Diode	1SS82TD	ダイオード		01
D209	VD631600	Diode	1SS133,176,HSS104	ダイオード		01
D210	IF005560	Diode	1SS82TD	ダイオード		01
D212	VU801600	Diode	1N4004L 26	ダイオード		01
D213	VU801600	Diode	1N4004L 26	ダイオード		01
L101	VY897300	Coil	100UH30A	コイル		06
L102	VY897300	Coil	100UH30A	コイル		06
Q101	VQ547300	Transistor	2SC4793 (HFE)	トランジスタ		03
Q102	VU418400	Transistor	2SA1371 D,E	トランジスタ		01
Q103	VU418600	Transistor	2SC3468 D,E	トランジスタ		01
Q104	IC260320	Transistor	2SC2603 E,F	トランジスタ		01
Q105	IA111520	Transistor	2SA1115 E,F	トランジスタ		01
Q106	VU418600	Transistor	2SC3468 D,E	トランジスタ		01
Q107	VU418400	Transistor	2SA1371 D,E	トランジスタ		01
Q108	VR152900	Transistor	2SC3790 E,F	トランジスタ		02
Q109	VR152800	Transistor	2SA1480 E,F	トランジスタ		02
Q124	IA097030	Transistor	2SA970 GR,BL	トランジスタ		01
Q125	IC224030	Transistor	2SC2240 GR,BL	トランジスタ		01
Q201	VQ547300	Transistor	2SC4793 (HFE)	トランジスタ		03
Q202	VU418400	Transistor	2SA1371 D,E	トランジスタ		01
Q203	VU418600	Transistor	2SC3468 D,E	トランジスタ		01
Q204	IC260320	Transistor	2SC2603 E,F	トランジスタ		01
Q205	IA111520	Transistor	2SA1115 E,F	トランジスタ		01
Q208	VR152900	Transistor	2SC3790 E,F	トランジスタ		02
Q209	VR152800	Transistor	2SA1480 E,F	トランジスタ		02
R101	HF456220	Carbon Resistor	2.2K 1/4 J	カーボン抵抗		01
R102	HF455390	Carbon Resistor	390.0 1/4 J	カーボン抵抗		01
R103	HF455220	Carbon Resistor	220.0 1/4 J	カーボン抵抗		01
R104	HF455220	Carbon Resistor	220.0 1/4 J	カーボン抵抗		01
R105	HF457470	Carbon Resistor	47.0K 1/4 J	カーボン抵抗		01
R106	HF457470	Carbon Resistor	47.0K 1/4 J	カーボン抵抗		01
R107	HF457470	Carbon Resistor	47.0K 1/4 J	カーボン抵抗		01
R108	HF457470	Carbon Resistor	47.0K 1/4 J	カーボン抵抗		01
R109	HF457100	Carbon Resistor	10.0K 1/4 J	カーボン抵抗		01
R110	HF457100	Carbon Resistor	10.0K 1/4 J	カーボン抵抗		01
R111	VV313900	Flame Proof C. Resistor	680.0 1/4 J	不燃化カーボン抵抗		01
R112	VV313900	Flame Proof C. Resistor	680.0 1/4 J	不燃化カーボン抵抗		01
R113	VZ009300	Flame Proof C. Resistor	330.0 1/4 J	不燃化カーボン抵抗		01
R114	VZ009300	Flame Proof C. Resistor	330.0 1/4 J	不燃化カーボン抵抗		01
* R115	HF456560	Carbon Resistor	5.6K 1/4 J	カーボン抵抗		01
R116	HF456560	Carbon Resistor	5.6K 1/4 J	カーボン抵抗		01
R117	VV313800	Flame Proof C. Resistor	220.0 1/4 J	不燃化カーボン抵抗		01
R118	VV313800	Flame Proof C. Resistor	220.0 1/4 J	不燃化カーボン抵抗		01

\* New Parts (新規部品)

ランク : Japan only

REF. NO.	PART NO.	DESCRIPTION	部 品 名	REMARKS	QTY	ランク
R119	VZ008800	Flame Proof C. Resistor	22.0 1/4 J	不燃化カーボン抵抗		01
R120	VZ008800	Flame Proof C. Resistor	22.0 1/4 J	不燃化カーボン抵抗		01
R121	VZ008700	Flame Proof C. Resistor	2.2K 1/4 J	不燃化カーボン抵抗		01
R122	VZ008700	Flame Proof C. Resistor	2.2K 1/4 J	不燃化カーボン抵抗		01
R123	VZ009100	Flame Proof C. Resistor	33.0 1/4 J	不燃化カーボン抵抗		01
R124	VZ009100	Flame Proof C. Resistor	33.0 1/4 J	不燃化カーボン抵抗		01
R125	VZ008600	Flame Proof C. Resistor	150.0 1/4 J	不燃化カーボン抵抗		01
R126	VZ008600	Flame Proof C. Resistor	150.0 1/4 J	不燃化カーボン抵抗		01
R127	VZ009100	Flame Proof C. Resistor	33.0 1/4 J	不燃化カーボン抵抗		01
R128	VZ009100	Flame Proof C. Resistor	33.0 1/4 J	不燃化カーボン抵抗		01
R129	VZ009100	Flame Proof C. Resistor	33.0 1/4 J	不燃化カーボン抵抗		01
R130	VZ009100	Flame Proof C. Resistor	33.0 1/4 J	不燃化カーボン抵抗		01
R131	VZ370100	Wire Wound Resistor	0.47 5W K	セメント抵抗		02
R132	VZ370100	Wire Wound Resistor	0.47 5W K	セメント抵抗		02
R133	VZ370100	Wire Wound Resistor	0.47 5W K	セメント抵抗		02
R134	VZ370100	Wire Wound Resistor	0.47 5W K	セメント抵抗		02
R135	VZ008800	Flame Proof C. Resistor	22.0 1/4 J	不燃化カーボン抵抗		01
R136	VZ008800	Flame Proof C. Resistor	22.0 1/4 J	不燃化カーボン抵抗		01
R137	VZ008800	Flame Proof C. Resistor	22.0 1/4 J	不燃化カーボン抵抗		01
R138	VZ008800	Flame Proof C. Resistor	22.0 1/4 J	不燃化カーボン抵抗		01
R139	VV313600	Flame Proof C. Resistor	2.2 1/4 J	不燃化カーボン抵抗		05
R140	VV313600	Flame Proof C. Resistor	2.2 1/4 J	不燃化カーボン抵抗		05
R141	VV313600	Flame Proof C. Resistor	2.2 1/4 J	不燃化カーボン抵抗		05
R142	VV313600	Flame Proof C. Resistor	2.2 1/4 J	不燃化カーボン抵抗		05
R143	VV313600	Flame Proof C. Resistor	2.2 1/4 J	不燃化カーボン抵抗		05
R144	VV313600	Flame Proof C. Resistor	2.2 1/4 J	不燃化カーボン抵抗		05
R145	VZ370200	Wire Wound Resistor	0.1 5W K	セメント抵抗		02
R146	VZ370200	Wire Wound Resistor	0.1 5W K	セメント抵抗		02
R147	VZ370200	Wire Wound Resistor	0.1 5W K	セメント抵抗		02
R148	VZ370200	Wire Wound Resistor	0.1 5W K	セメント抵抗		02
R149	VZ370200	Wire Wound Resistor	0.1 5W K	セメント抵抗		02
R150	VZ370200	Wire Wound Resistor	0.1 5W K	セメント抵抗		02
R151	VV058500	Flame Proof C. Resistor	10.0 1/4 J	不燃化カーボン抵抗		01
R152	VV058500	Flame Proof C. Resistor	10.0 1/4 J	不燃化カーボン抵抗		01
R153	VV058500	Flame Proof C. Resistor	10.0 1/4 J	不燃化カーボン抵抗		01
R154	VV058500	Flame Proof C. Resistor	10.0 1/4 J	不燃化カーボン抵抗		01
R155	VZ009100	Flame Proof C. Resistor	33.0 1/4 J	不燃化カーボン抵抗		01
R156	VZ009100	Flame Proof C. Resistor	33.0 1/4 J	不燃化カーボン抵抗		01
R157	HF456220	Carbon Resistor	2.2K 1/4 J	カーボン抵抗		01
R158	HF456220	Carbon Resistor	2.2K 1/4 J	カーボン抵抗		01
R159	HF457820	Carbon Resistor	82.0K 1/4 J	カーボン抵抗		01
R160	HF457820	Carbon Resistor	82.0K 1/4 J	カーボン抵抗		01
R161	HF455470	Carbon Resistor	470.0 1/4 J	カーボン抵抗		01
R162	HF455470	Carbon Resistor	470.0 1/4 J	カーボン抵抗		01
R163	VZ009300	Flame Proof C. Resistor	330.0 1/4 J	不燃化カーボン抵抗		01
R164	VZ009300	Flame Proof C. Resistor	330.0 1/4 J	不燃化カーボン抵抗		01
R165	VV276700	Flame Proof C. Resistor	4.7 1/4 J	不燃化カーボン抵抗		01
R166	VV276700	Flame Proof C. Resistor	4.7 1/4 J	不燃化カーボン抵抗		01
R167	VV313600	Flame Proof C. Resistor	2.2 1/4 J	不燃化カーボン抵抗		05
R168	VV313600	Flame Proof C. Resistor	2.2 1/4 J	不燃化カーボン抵抗		05
R169	VV313600	Flame Proof C. Resistor	2.2 1/4 J	不燃化カーボン抵抗		05
R170	VV313600	Flame Proof C. Resistor	2.2 1/4 J	不燃化カーボン抵抗		05
R171	VV313600	Flame Proof C. Resistor	2.2 1/4 J	不燃化カーボン抵抗		05
R172	VV313600	Flame Proof C. Resistor	2.2 1/4 J	不燃化カーボン抵抗		05
R173	VV313900	Flame Proof C. Resistor	680.0 1/4 J	不燃化カーボン抵抗		01
R174	VV313900	Flame Proof C. Resistor	680.0 1/4 J	不燃化カーボン抵抗		01
R175	HF454470	Carbon Resistor	47.0 1/4 J	カーボン抵抗		01
R176	HF455390	Carbon Resistor	390.0 1/4 J	カーボン抵抗		01
R177	HF455390	Carbon Resistor	390.0 1/4 J	カーボン抵抗		01
R178	HF455270	Carbon Resistor	270.0 1/4 J	カーボン抵抗		01
R201	HF456220	Carbon Resistor	2.2K 1/4 J	カーボン抵抗		01
R202	HF455390	Carbon Resistor	390.0 1/4 J	カーボン抵抗		01
R203	HF455220	Carbon Resistor	220.0 1/4 J	カーボン抵抗		01
R204	HF455220	Carbon Resistor	220.0 1/4 J	カーボン抵抗		01
R205	HF457470	Carbon Resistor	47.0K 1/4 J	カーボン抵抗		01
R206	HF457470	Carbon Resistor	47.0K 1/4 J	カーボン抵抗		01
R207	HF457470	Carbon Resistor	47.0K 1/4 J	カーボン抵抗		01
R208	HF457470	Carbon Resistor	47.0K 1/4 J	カーボン抵抗		01
R209	HF457100	Carbon Resistor	10.0K 1/4 J	カーボン抵抗		01

\* New Parts (新規部品)

ランク : Japan only

REF. NO.	PART NO.	DESCRIPTION	部 品 名	REMARKS	QTY	ランク
R210	HF457100	Carbon Resistor	10.0K 1/4 J	カ ー ボ ン 抵 抗		01
R211	VV313900	Flame Proof C. Resistor	680.0 1/4 J	不 燃 化 カ ー ボ ン 抵 抗		01
R212	VV313900	Flame Proof C. Resistor	680.0 1/4 J	不 燃 化 カ ー ボ ン 抵 抗		01
R213	VZ009300	Flame Proof C. Resistor	330.0 1/4 J	不 燃 化 カ ー ボ ン 抵 抗		01
R214	VZ009300	Flame Proof C. Resistor	330.0 1/4 J	不 燃 化 カ ー ボ ン 抵 抗		01
R217	VV313800	Flame Proof C. Resistor	220.0 1/4 J	不 燃 化 カ ー ボ ン 抵 抗		01
R218	VV313800	Flame Proof C. Resistor	220.0 1/4 J	不 燃 化 カ ー ボ ン 抵 抗		01
R223	VZ009100	Flame Proof C. Resistor	33.0 1/4 J	不 燃 化 カ ー ボ ン 抵 抗		01
R224	VZ009100	Flame Proof C. Resistor	33.0 1/4 J	不 燃 化 カ ー ボ ン 抵 抗		01
R227	VZ009100	Flame Proof C. Resistor	33.0 1/4 J	不 燃 化 カ ー ボ ン 抵 抗		01
R228	VZ009100	Flame Proof C. Resistor	33.0 1/4 J	不 燃 化 カ ー ボ ン 抵 抗		01
R229	VZ009100	Flame Proof C. Resistor	33.0 1/4 J	不 燃 化 カ ー ボ ン 抵 抗		01
R230	VZ009100	Flame Proof C. Resistor	33.0 1/4 J	不 燃 化 カ ー ボ ン 抵 抗		01
R231	VZ370100	Wire Wound Resistor	0.47 5W K	セ メ ン ト 抵 抗		02
R232	VZ370100	Wire Wound Resistor	0.47 5W K	セ メ ン ト 抵 抗		02
R233	VZ370100	Wire Wound Resistor	0.47 5W K	セ メ ン ト 抵 抗		02
R234	VZ370100	Wire Wound Resistor	0.47 5W K	セ メ ン ト 抵 抗		02
R235	VZ008800	Flame Proof C. Resistor	22.0 1/4 J	不 燃 化 カ ー ボ ン 抵 抗		01
R236	VZ008800	Flame Proof C. Resistor	22.0 1/4 J	不 燃 化 カ ー ボ ン 抵 抗		01
R237	VZ008800	Flame Proof C. Resistor	22.0 1/4 J	不 燃 化 カ ー ボ ン 抵 抗		01
R238	VZ008800	Flame Proof C. Resistor	22.0 1/4 J	不 燃 化 カ ー ボ ン 抵 抗		01
R276	HF455390	Carbon Resistor	390.0 1/4 J	カ ー ボ ン 抵 抗		01
R277	HF455390	Carbon Resistor	390.0 1/4 J	カ ー ボ ン 抵 抗		01
R278	HF455270	Carbon Resistor	270.0 1/4 J	カ ー ボ ン 抵 抗		01
W101	--	Connector Assembly	2426&2426 5P 100L	束 線 # 2 8	(VZ01610)	
W104	--	Connector Assembly	SP 135A	束 線	(VZ01500)	
W105	--	Connector Assembly	SP 1B	束 線	(VZ01520)	
CN101	VV066500	Connector Base Post	M2426XX 5P TE	コ ネ ク タ ベ ー ス ポ ス ト		01
CN102	VV066300	Connector Base Post	M2426XX 3P TE	コ ネ ク タ ベ ー ス ポ ス ト		01
CN103	LB932030	Base Post Connector	VH- 3P TE	ベ ー ス ポ ス ト		01
CN104	LB932020	Base Post Connector	VH- 2P TE	ベ ー ス ポ ス ト		01
CN105	LB932020	Base Post Connector	VH- 2P TE	ベ ー ス ポ ス ト		01
CN106	VV067600	Connector Base Post	M2426XXR 2P SE	コ ネ ク タ ベ ー ス ポ ス ト		01
CN107	VV067600	Connector Base Post	M2426XXR 2P SE	コ ネ ク タ ベ ー ス ポ ス ト		01
PR101	VL965100	Positive Thermistor	PTH9M04BE222TS2	ポ ジ ス タ		04
PR102	VL964800	Positive Thermistor	PTH9M04BH222TS2	ポ ジ ス タ		04
Q110N	VQ547300	Transistor	2SC4793 (HFE)	ト ラ ン ジ ス タ		03
Q111P	VQ547200	Transistor	2SA1837 (HFE)	ト ラ ン ジ ス タ		03
Q112N	VQ547300	Transistor	2SC4793 (HFE)	ト ラ ン ジ ス タ		03
Q113P	VQ547200	Transistor	2SA1837 (HFE)	ト ラ ン ジ ス タ		03
Q114N	VZ222300	Pair Transistor	A1492C3856(Z)(210)	ベ ア ト ラ ン ジ ス タ		08
Q115N	VZ222300	Pair Transistor	A1492C3856(Z)(210)	ベ ア ト ラ ン ジ ス タ		08
Q116P	VZ222300	Pair Transistor	A1492C3856(Z)(210)	ベ ア ト ラ ン ジ ス タ		08
Q117P	VZ222300	Pair Transistor	A1492C3856(Z)(210)	ベ ア ト ラ ン ジ ス タ		08
Q118N	VZ222300	Pair Transistor	A1492C3856(Z)(210)	ベ ア ト ラ ン ジ ス タ		08
Q119N	VZ222300	Pair Transistor	A1492C3856(Z)(210)	ベ ア ト ラ ン ジ ス タ		08
Q120N	VZ222300	Pair Transistor	A1492C3856(Z)(210)	ベ ア ト ラ ン ジ ス タ		08
Q121P	VZ222300	Pair Transistor	A1492C3856(Z)(210)	ベ ア ト ラ ン ジ ス タ		08
Q122P	VZ222300	Pair Transistor	A1492C3856(Z)(210)	ベ ア ト ラ ン ジ ス タ		08
Q123P	VZ222300	Pair Transistor	A1492C3856(Z)(210)	ベ ア ト ラ ン ジ ス タ		08
Q126P	VR732800	Transistor	A1859A/C4883A	ベ ア ト ラ ン ジ ス タ		04
Q127N	VR732800	Transistor	A1859A/C4883A	ベ ア ト ラ ン ジ ス タ		04
Q128N	VZ222300	Pair Transistor	A1492C3856(Z)(210)	ベ ア ト ラ ン ジ ス タ		08
Q129N	VZ222300	Pair Transistor	A1492C3856(Z)(210)	ベ ア ト ラ ン ジ ス タ		08
Q130N	VZ222300	Pair Transistor	A1492C3856(Z)(210)	ベ ア ト ラ ン ジ ス タ		08
Q131P	VZ222300	Pair Transistor	A1492C3856(Z)(210)	ベ ア ト ラ ン ジ ス タ		08
Q132P	VZ222300	Pair Transistor	A1492C3856(Z)(210)	ベ ア ト ラ ン ジ ス タ		08
Q133P	VZ222300	Pair Transistor	A1492C3856(Z)(210)	ベ ア ト ラ ン ジ ス タ		08
Q211N	VQ547300	Transistor	2SC4793 (HFE)	ト ラ ン ジ ス タ		03
Q212P	VQ547200	Transistor	2SA1837 (HFE)	ト ラ ン ジ ス タ		03
Q214N	VZ222300	Pair Transistor	A1492C3856(Z)(210)	ベ ア ト ラ ン ジ ス タ		08
Q215N	VZ222300	Pair Transistor	A1492C3856(Z)(210)	ベ ア ト ラ ン ジ ス タ		08
Q216P	VZ222300	Pair Transistor	A1492C3856(Z)(210)	ベ ア ト ラ ン ジ ス タ		08
Q217P	VZ222300	Pair Transistor	A1492C3856(Z)(210)	ベ ア ト ラ ン ジ ス タ		08
VR101	VZ352000	Trimmer Potentiometer	B 680 3P	半 固 定 V R		01
VR201	VZ352000	Trimmer Potentiometer	B 680 3P	半 固 定 V R		01
△	VZ021200	AC Cord	UC SJT 3X#18 10A	電 源 コ ー ド		06

\* New Parts (新規部品)

ランク : Japan only



**C320 ELECTRICAL PARTS**

REF NO.	PART NO.	DESCRIPTION	部 品 名	REMARKS	QTY	ランク
	--	ELECTRICAL PARTS	電 気 部 品	C320		
		Circuit Board Assembly	CDC43U U	CDC43Uシート集成	(V007650)	
*	NX819310	Circuit Board	CDC43U 1/4 U	CDC43U1/4シート	(XT214D0)	
*	NX819320	Circuit Board	CDC43U 2/4 U	CDC43U2/4シート	(XT214D0)	
*	NX819330	Circuit Board	CDC43U 3/4 U	CDC43U3/4シート	(XT214D0)	
*	NX819340	Circuit Board	CDC43U 4/4 U	CDC43U4/4シート	(XT214D0)	
*	V0078000	Circuit Board	CIN35 J	CIN35シート	(XT284D0)	
*	VZ013400	Circuit Board	PA3 J	PA3シート	(XT285B0)	34
*	NX819310	Circuit Board	CDC43U 1/4 U	CDC43U1/4シート	(XT214D0)	
*	NX819320	Circuit Board	CDC43U 2/4 U	CDC43U2/4シート	(XT214D0)	
*	NX819330	Circuit Board	CDC43U 3/4 U	CDC43U3/4シート	(XT214D0)	
*	NX819340	Circuit Board	CDC43U 4/4 U	CDC43U4/4シート	(XT214D0)	
	VB763800	Bind Head Screw	SP 3.0X12 MFZN2Y	+ バインド小ネジ		01
	VV319600	Fuse Holder	CQ-05CT	ヒューズホルダ		01
	VV307300	LED Spacer	SR200	LEDスペーサ		01
	VV291400	Jumper Wire	0.6	ジャンパー線		01
E101	VZ703700	GND Angle		GND金具		
L101	V0076300	Coil	EI	コイル		
C101	VZ004400	Mylar Capacitor	0.1000 400V M	フィルムコン		01
C102	VZ004400	Mylar Capacitor	0.1000 400V M	フィルムコン		01
C103	VY897100	Electrolytic Cap.	2200 160V	ケミコン		08
C104	VY897100	Electrolytic Cap.	2200 160V	ケミコン		08
C105	VY897100	Electrolytic Cap.	2200 160V	ケミコン		08
C106	VY897100	Electrolytic Cap.	2200 160V	ケミコン		08
C107	VY897100	Electrolytic Cap.	2200 160V	ケミコン		08
C108	VY897100	Electrolytic Cap.	2200 160V	ケミコン		08
C110	UJ659100	Electrolytic Cap.	1000 35.0V	ケミコン		02
C111	UJ659100	Electrolytic Cap.	1000 35.0V	ケミコン		02
C112	FG652100	Ceramic Capacitor-SL	100P 50V J	セラコン (SL)		01
△	C116	Capacitor	1000P 400V J.U.C.S	規格認定コン		01
△	C117	Capacitor	1000P 400V J.U.C.S	規格認定コン		01
	C121	Ceramic Capacitor-B	1000P 50V K	セラコン B		01
	C124	Ceramic Capacitor-B	1000P 50V K	セラコン B		01
	D101	Diode Stack	D25XB60 25.0A 600V	ダイオードスタック		06
	D102	Diode	1N4004L 26	ダイオード		01
	D103	Diode	1N4004L 26	ダイオード		01
	D104	Diode	1N4004L 26	ダイオード		01
	D105	Diode	1N4004L 26	ダイオード		01
	D106	Diode	1N4004L 26	ダイオード		01
	D108	Diode	1SS133,176,HSS104	ダイオード		01
	D109	Diode	1SS133,176,HSS104	ダイオード		01
	D110	Zener Diode	MTZ J 5.6B 5.6V	ツェナーダイオード		01
	D111	Zener Diode	MTZ J 5.6B 5.6V	ツェナーダイオード		01
	D112	Zener Diode	MTZ J 5.6B 5.6V	ツェナーダイオード		01
	D113	LED	LT321-41-C13 GR	L E D	SIGNAL A	01
	D114	LED	LT311G-41-C13 RE	L E D	CLIP A	01
	D115	LED	LT321-41-C13 GR	L E D	SIGNAL B	01
	D116	LED	LT311G-41-C13 RE	L E D	CLIP B	01
	D117	LED	LT311G-41-C13 RE	L E D	TEMP	01
	D118	LED	LT311G-41-C13 RE	L E D	PROTECTION	01
	D119	LED	LT311G-41-C13 RE	L E D	POWER	01
△	F101	Fuse	12.00A UL	ヒューズ		04
△	F102	Fuse	12.00A UL	ヒューズ		04
	F103	Fuse	TDS 1A 250V J/U/C	ヒューズ		01
	F104	Fuse	TDS 1A 250V J/U/C	ヒューズ		01
	H101	Heat Sink	Q150/350/500	ヒートシンク (S)		05
	J101	Jumper Wire	0.6	ジャンパー線		01
	J102	Jumper Wire	0.6	ジャンパー線		01
	P101	Plastic Rivet	PR-08T GIN LIAN	ブラリベット		01
	Q101	Transistor	2SA1115 E,F	トランジスタ		01
	Q102	Transistor	2SC2603 E,F	トランジスタ		01
	Q103	Transistor	2SC2603 E,F	トランジスタ		01
	Q104	Transistor	2SC2603 E,F	トランジスタ		01
	Q105	Transistor	2SA1115 E,F	トランジスタ		01
	Q106	Transistor	2SC2603 E,F	トランジスタ		01
	Q107	Digital Transistor	DTA114ES	デジタルトランジスタ		03
	Q108	Transistor	2SC2603 E,F	トランジスタ		01
	Q109	Digital Transistor	DTA114ES	デジタルトランジスタ		03

\* New Parts (新規部品)

ランク : Japan only



REF NO.	PART NO.	DESCRIPTION	部 品 名	REMARKS	QTY	ランク
Q110	IC260320	Transistor	2SC2603 E,F	ト ラ ン ジ ス タ		01
Q111	IA111520	Transistor	2SA1115 E,F	ト ラ ン ジ ス タ		01
Q112	VS883300	Transistor	2SB1565 E,F	ト ラ ン ジ ス タ		01
Q113	IC260320	Transistor	2SC2603 E,F	ト ラ ン ジ ス タ		01
Q114	VD678500	Digital Transistor	DTA114ES	デ ジ タ ル ト ラ ン ジ ス タ		03
Q115	VD678500	Digital Transistor	DTA114ES	デ ジ タ ル ト ラ ン ジ ス タ		03
Q116	VD678700	Digital Transistor	DTC114ES	デ ジ タ ル ト ラ ン ジ ス タ		03
Q117	IC260320	Transistor	2SC2603 E,F	ト ラ ン ジ ス タ		01
Q118	VD678500	Digital Transistor	DTA114ES	デ ジ タ ル ト ラ ン ジ ス タ		03
Q119	VD678500	Digital Transistor	DTA114ES	デ ジ タ ル ト ラ ン ジ ス タ		03
Q120	VD678700	Digital Transistor	DTC114ES	デ ジ タ ル ト ラ ン ジ ス タ		03
Q121	VD678500	Digital Transistor	DTA114ES	デ ジ タ ル ト ラ ン ジ ス タ		03
R101	HF457150	Carbon Resistor	15.0K 1/4 J	カ ー ボ ン 抵 抗		01
R102	HF457220	Carbon Resistor	22.0K 1/4 J	カ ー ボ ン 抵 抗		01
R103	HF457470	Carbon Resistor	47.0K 1/4 J	カ ー ボ ン 抵 抗		01
R104	HF458150	Carbon Resistor	150.0K 1/4 J	カ ー ボ ン 抵 抗		01
R105	HF458100	Carbon Resistor	100.0K 1/4 J	カ ー ボ ン 抵 抗		01
R106	HF457100	Carbon Resistor	10.0K 1/4 J	カ ー ボ ン 抵 抗		01
R107	HF457560	Carbon Resistor	56.0K 1/4 J	カ ー ボ ン 抵 抗		01
R108	HF457680	Carbon Resistor	68.0K 1/4 J	カ ー ボ ン 抵 抗		01
R109	HF456680	Carbon Resistor	6.8K 1/4 J	カ ー ボ ン 抵 抗		01
R110	HF457560	Carbon Resistor	56.0K 1/4 J	カ ー ボ ン 抵 抗		01
R111	HF457100	Carbon Resistor	10.0K 1/4 J	カ ー ボ ン 抵 抗		01
R112	HF456820	Carbon Resistor	8.2K 1/4 J	カ ー ボ ン 抵 抗		01
R113	HF456820	Carbon Resistor	8.2K 1/4 J	カ ー ボ ン 抵 抗		01
R114	HF455220	Carbon Resistor	220.0 1/4 J	カ ー ボ ン 抵 抗		01
R115	HF455220	Carbon Resistor	220.0 1/4 J	カ ー ボ ン 抵 抗		01
R116	HF456470	Carbon Resistor	4.7K 1/4 J	カ ー ボ ン 抵 抗		01
R117	HF457100	Carbon Resistor	10.0K 1/4 J	カ ー ボ ン 抵 抗		01
R118	HF455220	Carbon Resistor	220.0 1/4 J	カ ー ボ ン 抵 抗		01
R119	HF456470	Carbon Resistor	4.7K 1/4 J	カ ー ボ ン 抵 抗		01
R120	HF455220	Carbon Resistor	220.0 1/4 J	カ ー ボ ン 抵 抗		01
R121	HF456120	Carbon Resistor	1.2K 1/4 J	カ ー ボ ン 抵 抗		01
R122	HF456120	Carbon Resistor	1.2K 1/4 J	カ ー ボ ン 抵 抗		01
R123	HF456120	Carbon Resistor	1.2K 1/4 J	カ ー ボ ン 抵 抗		01
R124	HF456120	Carbon Resistor	1.2K 1/4 J	カ ー ボ ン 抵 抗		01
R125	HF456470	Carbon Resistor	4.7K 1/4 J	カ ー ボ ン 抵 抗		01
R126	HF457100	Carbon Resistor	10.0K 1/4 J	カ ー ボ ン 抵 抗		01
R127	HF455220	Carbon Resistor	220.0 1/4 J	カ ー ボ ン 抵 抗		01
R128	HF456470	Carbon Resistor	4.7K 1/4 J	カ ー ボ ン 抵 抗		01
R129	HF455220	Carbon Resistor	220.0 1/4 J	カ ー ボ ン 抵 抗		01
R130	HF456120	Carbon Resistor	1.2K 1/4 J	カ ー ボ ン 抵 抗		01
R131	HF456120	Carbon Resistor	1.2K 1/4 J	カ ー ボ ン 抵 抗		01
R132	HF456120	Carbon Resistor	1.2K 1/4 J	カ ー ボ ン 抵 抗		01
R133	HF456120	Carbon Resistor	1.2K 1/4 J	カ ー ボ ン 抵 抗		01
R134	HF456120	Carbon Resistor	1.2K 1/4 J	カ ー ボ ン 抵 抗		01
R135	HF456120	Carbon Resistor	1.2K 1/4 J	カ ー ボ ン 抵 抗		01
R136	HF457820	Carbon Resistor	82.0K 1/4 J	カ ー ボ ン 抵 抗		01
R137	HF456120	Carbon Resistor	1.2K 1/4 J	カ ー ボ ン 抵 抗		01
R138	HF456120	Carbon Resistor	1.2K 1/4 J	カ ー ボ ン 抵 抗		01
R139	HF456120	Carbon Resistor	1.2K 1/4 J	カ ー ボ ン 抵 抗		01
R140	HF456120	Carbon Resistor	1.2K 1/4 J	カ ー ボ ン 抵 抗		01
W101	--	Connector Assembly	E	東 線	(VZ01490)	
W102	--	Connector Assembly	+B PRE	東 線	(VZ01470)	
W103	--	Connector Assembly	+B PA	東 線	(VZ01480)	
W104	--	Connector Assembly	+B PA	東 線	(VZ01480)	
W105	--	Connector Assembly	P.SW YE	東 線	(VZ01450)	
W106	--	Connector Assembly	P.SW BR	東 線	(VZ01460)	
W107	--	Connector Assembly	P.SW BR	東 線	(VZ01460)	
W202	--	Connector Assembly	2426&2426 10P 200L	東 線 # 2 8	(VZ01550)	
W203	--	Connector Assembly	2426&2426 4P 300L	東 線 # 2 8	(VZ01560)	
W204	--	Connector Assembly	2426&2426 4P 140L	東 線 # 2 8	(VZ01570)	
W218	--	Connector Assembly	VR C450	東 線	(V004420)	
W219	--	Connector Assembly	2426&2426 9P 450L	東 線 # 2 8	(VZ01540)	
CN101	LB932030	Base Post Connector	VH- 3P TE	ベ ー ス ポ ス ト		01
CN102	VV067000	Connector Base Post	M2426XX 10P TE	コ ネ ク タ ベ ー ス ポ ス ト		01
CN103	VV066400	Connector Base Post	M2426XX 4P TE	コ ネ ク タ ベ ー ス ポ ス ト		01
CN104	VV066400	Connector Base Post	M2426XX 4P TE	コ ネ ク タ ベ ー ス ポ ス ト		01
CN106	VV066900	Connector Base Post	M2426XX 9P TE	コ ネ ク タ ベ ー ス ポ ス ト		01

\* New Parts (新規部品)

ランク : Japan only

REF NO.	PART NO.	DESCRIPTION	部 品 名	REMARKS	QTY	ランク
CN107	VZ005700	Fasten Terminal	TP82223-22	ファストン端子		01
CN108	VZ005700	Fasten Terminal	TP82223-22	ファストン端子		01
CN109	VZ005700	Fasten Terminal	TP82223-22	ファストン端子		01
CN110	VZ005700	Fasten Terminal	TP82223-22	ファストン端子		01
CN111	VZ005700	Fasten Terminal	TP82223-22	ファストン端子		01
CN112	VZ005700	Fasten Terminal	TP82223-22	ファストン端子		01
CN113	VZ005700	Fasten Terminal	TP82223-22	ファストン端子		01
CN114	VZ005700	Fasten Terminal	TP82223-22	ファストン端子		01
CN115	VZ005700	Fasten Terminal	TP82223-22	ファストン端子		01
CN116	VZ005700	Fasten Terminal	TP82223-22	ファストン端子		01
CN117	VZ005700	Fasten Terminal	TP82223-22	ファストン端子		01
CN118	VV066600	Connector Base Post	M2426XX 6P TE	コネクタベースポスト		01
CN119	VV066900	Connector Base Post	M2426XX 9P TE	コネクタベースポスト		01
CN120	VV066200	Connector Base Post	M2426XX 2P TE	コネクタベースポスト		01
CN121	VV066200	Connector Base Post	M2426XX 2P TE	コネクタベースポスト		01
SW101	VY898100	Push Switch	SDDFA3107U-YL UCS	プッシュスイッチ	POWER	05
VR101	VI575600	Rotary Variable Resistor	5K	ロータリーVR	CHANNEL A	03
VR102	VI575600	Rotary Variable Resistor	5K	ロータリーVR	CHANNEL B	03
*	V0078000	Circuit Board	CIN35 J	C I N 3 5 シート	(XT284D0)	
	EP600140	Bind Head Tapping Screw-B	3.0X10 MFZN2BL	+ バインドBタイト		01
	VV291400	Jumper Wire	0.6	ジャンパー線		01
C101	FU451560	Mica Capacitor	56P 500V J	マイカコン		
C102	FU451560	Mica Capacitor	56P 500V J	マイカコン		
C103	FG644100	Ceramic Capacitor-F	0.0100 50V Z	セラコン F		01
C104	FG644100	Ceramic Capacitor-F	0.0100 50V Z	セラコン F		01
C105	FU451100	Mica Capacitor	10P 500V D	マイカコン		01
C106	VZ004000	Electrolytic Cap.-SK	2.2 200.0V	ケミコン SK		01
C107	VZ004000	Electrolytic Cap.-SK	2.2 200.0V	ケミコン SK		01
C109	FU451330	Mica Capacitor	33P 500V J	マイカコン		01
C110	FG652100	Ceramic Capacitor-SL	100P 50V J	セラコン ( S L )		01
C112	VV060100	Mylar Capacitor	1500P 50V J	マイラコン		08
C113	VZ004200	Mylar Capacitor	0.1000 100V M	フィルムコン		01
C114	VZ004200	Mylar Capacitor	0.1000 100V M	フィルムコン		01
C115	VZ012200	Ceramic Capacitor-B	0.001 500V K	セラコン B		01
C116	VZ012200	Ceramic Capacitor-B	0.001 500V K	セラコン B		01
C201	FU451560	Mica Capacitor	56P 500V J	マイカコン		
C202	FU451560	Mica Capacitor	56P 500V J	マイカコン		
C203	FG644100	Ceramic Capacitor-F	0.0100 50V Z	セラコン F		01
C204	FG644100	Ceramic Capacitor-F	0.0100 50V Z	セラコン F		01
C206	VZ004000	Electrolytic Cap.-SK	2.2 200.0V	ケミコン SK		01
C207	VZ004000	Electrolytic Cap.-SK	2.2 200.0V	ケミコン SK		01
C209	FU451330	Mica Capacitor	33P 500V J	マイカコン		01
C210	FG652100	Ceramic Capacitor-SL	100P 50V J	セラコン ( S L )		01
C212	VV060100	Mylar Capacitor	1500P 50V J	マイラコン		08
C213	VZ004200	Mylar Capacitor	0.1000 100V M	フィルムコン		01
C214	VZ004200	Mylar Capacitor	0.1000 100V M	フィルムコン		01
C215	VZ012200	Ceramic Capacitor-B	0.001 500V K	セラコン B		01
C216	VZ012200	Ceramic Capacitor-B	0.001 500V K	セラコン B		01
D101	VD631600	Diode	1SS133,176,HSS104	ダイオード		01
D102	VD631600	Diode	1SS133,176,HSS104	ダイオード		01
D103	VD631600	Diode	1SS133,176,HSS104	ダイオード		01
D104	VD631600	Diode	1SS133,176,HSS104	ダイオード		01
D105	VD631600	Diode	1SS133,176,HSS104	ダイオード		01
D106	VD631600	Diode	1SS133,176,HSS104	ダイオード		01
D107	VU801600	Diode	1N4004L 26	ダイオード		01
D201	VD631600	Diode	1SS133,176,HSS104	ダイオード		01
D202	VD631600	Diode	1SS133,176,HSS104	ダイオード		01
D203	VD631600	Diode	1SS133,176,HSS104	ダイオード		01
D204	VD631600	Diode	1SS133,176,HSS104	ダイオード		01
D205	VD631600	Diode	1SS133,176,HSS104	ダイオード		01
D206	VD631600	Diode	1SS133,176,HSS104	ダイオード		01
L101	VR150900	Coil	RZ-001 21MM	空芯コイル		02
L201	VR150900	Coil	RZ-001 21MM	空芯コイル		02
Q101	VU418400	Transistor	2SA1371 D,E	トランジスタ		01
Q102	VU418400	Transistor	2SA1371 D,E	トランジスタ		01
Q103	VU418400	Transistor	2SA1371 D,E	トランジスタ		01
Q104	VU418600	Transistor	2SC3468 D,E	トランジスタ		01
Q105	IC1815M0	Transistor	2SC1815 Y,GR	トランジスタ		01

\* New Parts (新規部品)

ランク : Japan only

REF NO.	PART NO.	DESCRIPTION	部 品 名	REMARKS	QTY	ランク
Q106	IC1815M0	Transistor	2SC1815 Y,GR	ト ラ ン ジ ス タ		01
Q107	IC1815M0	Transistor	2SC1815 Y,GR	ト ラ ン ジ ス タ		01
Q108	VR152800	Transistor	2SA1480 E,F	ト ラ ン ジ ス タ		02
Q109	IA101590	Transistor	2SA1015 O,Y	ト ラ ン ジ ス タ		01
Q110	VR152900	Transistor	2SC3790 E,F	ト ラ ン ジ ス タ		02
Q201	VU418400	Transistor	2SA1371 D,E	ト ラ ン ジ ス タ		01
Q202	VU418400	Transistor	2SA1371 D,E	ト ラ ン ジ ス タ		01
Q203	VU418400	Transistor	2SA1371 D,E	ト ラ ン ジ ス タ		01
Q204	VU418600	Transistor	2SC3468 D,E	ト ラ ン ジ ス タ		01
Q205	IC1815M0	Transistor	2SC1815 Y,GR	ト ラ ン ジ ス タ		01
Q206	IC1815M0	Transistor	2SC1815 Y,GR	ト ラ ン ジ ス タ		01
Q207	IC1815M0	Transistor	2SC1815 Y,GR	ト ラ ン ジ ス タ		01
Q208	VR152800	Transistor	2SA1480 E,F	ト ラ ン ジ ス タ		02
Q209	IA101590	Transistor	2SA1015 O,Y	ト ラ ン ジ ス タ		01
Q210	VR152900	Transistor	2SC3790 E,F	ト ラ ン ジ ス タ		02
R101	VZ009900	Metal Film Resistor	15K 1/4 F	金 属 被 膜 抵 抗		01
R102	VZ009900	Metal Film Resistor	15K 1/4 F	金 属 被 膜 抵 抗		01
R103	VZ009900	Metal Film Resistor	15K 1/4 F	金 属 被 膜 抵 抗		01
R104	VZ009900	Metal Film Resistor	15K 1/4 F	金 属 被 膜 抵 抗		01
R105	HF454180	Carbon Resistor	18.0 1/4 J	カ ー ボ ン 抵 抗		01
R106	VV065200	Metal Film Resistor	4.7K 1/4 F	金 属 被 膜 抵 抗		05
R107	VV065200	Metal Film Resistor	4.7K 1/4 F	金 属 被 膜 抵 抗		05
R108	HF454180	Carbon Resistor	18.0 1/4 J	カ ー ボ ン 抵 抗		01
R109	HF456470	Carbon Resistor	4.7K 1/4 J	カ ー ボ ン 抵 抗		01
R110	HF457220	Carbon Resistor	22.0K 1/4 J	カ ー ボ ン 抵 抗		01
R111	VZ010600	Metal Film Resistor	560.0 1/4 F	金 属 被 膜 抵 抗		01
R112	VV065600	Metal Film Resistor	11K 1/4 F	金 属 被 膜 抵 抗		05
R113	VV065600	Metal Film Resistor	11K 1/4 F	金 属 被 膜 抵 抗		05
R114	HF455560	Carbon Resistor	560.0 1/4 J	カ ー ボ ン 抵 抗		01
R115	HF457100	Carbon Resistor	10.0K 1/4 J	カ ー ボ ン 抵 抗		01
R116	HF458330	Carbon Resistor	330.0K 1/4 J	カ ー ボ ン 抵 抗		01
R117	HF455560	Carbon Resistor	560.0 1/4 J	カ ー ボ ン 抵 抗		01
R118	HF455560	Carbon Resistor	560.0 1/4 J	カ ー ボ ン 抵 抗		01
R119	HF455200	Carbon Resistor	200.0 1/4 J	カ ー ボ ン 抵 抗		01
R120	HF457470	Carbon Resistor	47.0K 1/4 J	カ ー ボ ン 抵 抗		01
R121	HF457470	Carbon Resistor	47.0K 1/4 J	カ ー ボ ン 抵 抗		01
R122	HF455220	Carbon Resistor	220.0 1/4 J	カ ー ボ ン 抵 抗		01
R123	HF457470	Carbon Resistor	47.0K 1/4 J	カ ー ボ ン 抵 抗		01
R124	HF457470	Carbon Resistor	47.0K 1/4 J	カ ー ボ ン 抵 抗		01
R125	HF457470	Carbon Resistor	47.0K 1/4 J	カ ー ボ ン 抵 抗		01
R126	HF457470	Carbon Resistor	47.0K 1/4 J	カ ー ボ ン 抵 抗		01
R127	HF455330	Carbon Resistor	330.0 1/4 J	カ ー ボ ン 抵 抗		01
R128	HF455330	Carbon Resistor	330.0 1/4 J	カ ー ボ ン 抵 抗		01
R129	VZ009400	Flame Proof C. Resistor	820.0 1/4 J	不 燃 化 カ ー ボ ン 抵 抗		01
R130	VZ009400	Flame Proof C. Resistor	820.0 1/4 J	不 燃 化 カ ー ボ ン 抵 抗		01
R131	VY997600	Metal Oxide Film Resistor	4.7 3W J	サ ン キ ン 抵 抗		01
R132	VY997600	Metal Oxide Film Resistor	4.7 3W J	サ ン キ ン 抵 抗		01
R133	VV276700	Flame Proof C. Resistor	4.7 1/4 J	不 燃 化 カ ー ボ ン 抵 抗		01
R134	HF457270	Carbon Resistor	27.0K 1/4 J	カ ー ボ ン 抵 抗		01
R135	HF458150	Carbon Resistor	150.0K 1/4 J	カ ー ボ ン 抵 抗		01
R136	HF456100	Carbon Resistor	1.0K 1/4 J	カ ー ボ ン 抵 抗		01
R201	VZ009900	Metal Film Resistor	15K 1/4 F	金 属 被 膜 抵 抗		01
R202	VZ009900	Metal Film Resistor	15K 1/4 F	金 属 被 膜 抵 抗		01
R203	VZ009900	Metal Film Resistor	15K 1/4 F	金 属 被 膜 抵 抗		01
R204	VZ009900	Metal Film Resistor	15K 1/4 F	金 属 被 膜 抵 抗		01
R205	HF454180	Carbon Resistor	18.0 1/4 J	カ ー ボ ン 抵 抗		01
R210	HF457220	Carbon Resistor	22.0K 1/4 J	カ ー ボ ン 抵 抗		01
R211	VZ010600	Metal Film Resistor	560.0 1/4 F	金 属 被 膜 抵 抗		01
R212	VV065600	Metal Film Resistor	11K 1/4 F	金 属 被 膜 抵 抗		05
R213	VV065600	Metal Film Resistor	11K 1/4 F	金 属 被 膜 抵 抗		05
R214	HF455560	Carbon Resistor	560.0 1/4 J	カ ー ボ ン 抵 抗		01
R215	HF457100	Carbon Resistor	10.0K 1/4 J	カ ー ボ ン 抵 抗		01
R216	HF458330	Carbon Resistor	330.0K 1/4 J	カ ー ボ ン 抵 抗		01
R217	HF455560	Carbon Resistor	560.0 1/4 J	カ ー ボ ン 抵 抗		01
R218	HF455560	Carbon Resistor	560.0 1/4 J	カ ー ボ ン 抵 抗		01
R219	HF455200	Carbon Resistor	200.0 1/4 J	カ ー ボ ン 抵 抗		01
R220	HF457470	Carbon Resistor	47.0K 1/4 J	カ ー ボ ン 抵 抗		01
R221	HF457470	Carbon Resistor	47.0K 1/4 J	カ ー ボ ン 抵 抗		01
R222	HF455220	Carbon Resistor	220.0 1/4 J	カ ー ボ ン 抵 抗		01

\* New Parts (新規部品)

ランク : Japan only

REF NO.	PART NO.	DESCRIPTION		部 品 名	REMARKS	QTY	ランク
R223	HF457470	Carbon Resistor	47.0K 1/4 J	カ ー ボ ン 抵 抗			01
R224	HF457470	Carbon Resistor	47.0K 1/4 J	カ ー ボ ン 抵 抗			01
R225	HF457470	Carbon Resistor	47.0K 1/4 J	カ ー ボ ン 抵 抗			01
R226	HF457470	Carbon Resistor	47.0K 1/4 J	カ ー ボ ン 抵 抗			01
R227	HF455330	Carbon Resistor	330.0 1/4 J	カ ー ボ ン 抵 抗			01
R228	HF455330	Carbon Resistor	330.0 1/4 J	カ ー ボ ン 抵 抗			01
R229	VZ009400	Flame Proof C. Resistor	820.0 1/4 J	不 燃 化 カ ー ボ ン 抵 抗			01
R230	VZ009400	Flame Proof C. Resistor	820.0 1/4 J	不 燃 化 カ ー ボ ン 抵 抗			01
R231	VY997600	Metal Oxide Film Resistor	4.7 3W J	サ ン キ ン 抵 抗			01
R232	VY997600	Metal Oxide Film Resistor	4.7 3W J	サ ン キ ン 抵 抗			01
R233	VV276700	Flame Proof C. Resistor	4.7 1/4 J	不 燃 化 カ ー ボ ン 抵 抗			01
R234	HF457270	Carbon Resistor	27.0K 1/4 J	カ ー ボ ン 抵 抗			01
R235	HF458150	Carbon Resistor	150.0K 1/4 J	カ ー ボ ン 抵 抗			01
R236	HF456100	Carbon Resistor	1.0K 1/4 J	カ ー ボ ン 抵 抗			01
T101	VY937000	Terminal Angle	Q150/350/500	ターミナルアングル			03
* T102	VZ956700	Terminal Angle	C-SERIES 4P	ターミナルアングル			
W104	--	Connector Assembly	2426&2426 3P 100L	束 線 # 2 8	(VZ01590)		
W107	--	Connector Assembly	SP 135A	束 線	(VZ01500)		
W204	--	Connector Assembly	2426&2426 3P 80L	束 線 # 2 8	(VZ01600)		
W207	--	Connector Assembly	SP 35B	束 線	(VZ01510)		
CN101	VY898000	Lug Terminal	DT-55-A14W-06	貫 通 端 子 台			05
CN102	VV066600	Connector Base Post	M2426XX 6P TE	コネクタベースポスト			01
CN103	LB932020	Base Post Connector	VH- 2P TE	ベ ー ス ポ ス ト			01
CN104	VV066300	Connector Base Post	M2426XX 3P TE	コネクタベースポスト			01
CN106	VV067000	Connector Base Post	M2426XX 10P TE	コネクタベースポスト			01
CN107	LB932020	Base Post Connector	VH- 2P TE	ベ ー ス ポ ス ト			01
CN108	LB932020	Base Post Connector	VH- 2P TE	ベ ー ス ポ ス ト			01
CN204	VV066300	Connector Base Post	M2426XX 3P TE	コネクタベースポスト			01
CN207	LB932020	Base Post Connector	VH- 2P TE	ベ ー ス ポ ス ト			01
IC101	XM085A00	IC	M5238AP		C OP AMP		03
IC102	XK841A00	IC	NJM7818FA		C REGULATOR +18V		02
IC103	XK842A00	IC	NJM7918FA		C REGULATOR -18V		02
IC201	XM085A00	IC	M5238AP		C OP AMP		03
JK101	VS133800	XLM Connector	NC3FAH1-0	キャノンコネクタ	INPUT A (XLR-3-31)		04
JK201	VS133800	XLM Connector	NC3FAH1-0	キャノンコネクタ	INPUT B (XLR-3-31)		04
RY101	VV315400	Relay	DC OSA-SH-224DM3M	リレー 2 4 V			06
RY201	VV315400	Relay	DC OSA-SH-224DM3M	リレー 2 4 V			06
* SP101	V2036900	Lug Terminal	DT-55-A14W-04	貫 通 端 子 台	SPEAKERS		
* Δ SW101	VY898200	Slide Switch	SSSF123NB2-YL L=9	ス ラ イ ド S W	STEREO/BRIDGE/PARALLEL		01
	VZ013400	Circuit Board	PA3 J	P A 3 シ ー ト	(XT285B0)		34
	VV291400	Jumper Wire	0.6	ジ ャ ン パ ー 線			01
C101	FG652100	Ceramic Capacitor-SL	100P 50V J	セ ラ コ ン ( S L )			01
C102	FU451220	Mica Capacitor	22P 500V J	マ イ カ コ ン			01
C103	FU451220	Mica Capacitor	22P 500V J	マ イ カ コ ン			01
C104	FG644100	Ceramic Capacitor-F	0.0100 50V Z	セ ラ コ ン F			01
C105	FG644100	Ceramic Capacitor-F	0.0100 50V Z	セ ラ コ ン F			01
C106	UJ896470	Electrolytic Cap.	4.7 100.0V	ケ ミ コ ン			01
C107	UJ896470	Electrolytic Cap.	4.7 100.0V	ケ ミ コ ン			01
C108	UJ847100	Electrolytic Cap.	10.00 25.0V	ケ ミ コ ン			01
C109	FU451100	Mica Capacitor	10P 500V D	マ イ カ コ ン			01
C110	FU451100	Mica Capacitor	10P 500V D	マ イ カ コ ン			01
C111	FU452100	Mica Capacitor	100P 500V J	マ イ カ コ ン			01
C112	FU452100	Mica Capacitor	100P 500V J	マ イ カ コ ン			01
C113	FG644100	Ceramic Capacitor-F	0.0100 50V Z	セ ラ コ ン F			01
C114	FG644100	Ceramic Capacitor-F	0.0100 50V Z	セ ラ コ ン F			01
C115	VZ004000	Electrolytic Cap.-SK	2.2 200.0V	ケ ミ コ ン S K			01
C116	VZ004000	Electrolytic Cap.-SK	2.2 200.0V	ケ ミ コ ン S K			01
C117	VV059800	Mylar Capacitor	1000P 50V J	マ イ ラ ー コ ン			08
C118	VV059800	Mylar Capacitor	1000P 50V J	マ イ ラ ー コ ン			08
C119	VY897200	Mylar Capacitor	3.3000 250V M	フ ィ ル ム コ ン			03
C120	VY897200	Mylar Capacitor	3.3000 250V M	フ ィ ル ム コ ン			03
C121	VZ004000	Electrolytic Cap.-SK	2.2 200.0V	ケ ミ コ ン S K			01
C122	VZ004000	Electrolytic Cap.-SK	2.2 200.0V	ケ ミ コ ン S K			01
C123	FU451470	Mica Capacitor	47P 500V J	マ イ カ コ ン			01
C124	FU451470	Mica Capacitor	47P 500V J	マ イ カ コ ン			01
C125	VV314600	Ceramic Capacitor-B	0.0022 500V K	セ ラ コ ン B			01
C126	VV314600	Ceramic Capacitor-B	0.0022 500V K	セ ラ コ ン B			01
C127	VZ003800	Electrolytic Cap.-SK	100.0 160.0V	ケ ミ コ ン S K			02

\* New Parts (新規部品)

ランク : Japan only

REF NO.	PART NO.	DESCRIPTION	部 品 名	REMARKS	QTY	ランク
C128	VZ003800	Electrolytic Cap.-SK	100.0 160.0V	ケ ミ コ ン S K		02
C129	FG644100	Ceramic Capacitor-F	0.0100 50V Z	セ ラ コ ン F		01
D105	VG438900	Zener Diode	MTZ J 8.2B 8.2V	ツ ェ ナ ー ダ イ オ ー ド		01
D106	VG438900	Zener Diode	MTZ J 8.2B 8.2V	ツ ェ ナ ー ダ イ オ ー ド		01
D107	VD631600	Diode	1SS133,176,HSS104	ダ イ オ ー ド		01
D108	VD631600	Diode	1SS133,176,HSS104	ダ イ オ ー ド		01
D109	IF005560	Diode	1SS82TD	ダ イ オ ー ド		01
D110	IF005560	Diode	1SS82TD	ダ イ オ ー ド		01
D111	IF005560	Diode	1SS82TD	ダ イ オ ー ド		01
D112	IF005560	Diode	1SS82TD	ダ イ オ ー ド		01
D113	VN478200	Diode	D1NL20U	ダ イ オ ー ド		01
D114	VN478200	Diode	D1NL20U	ダ イ オ ー ド		01
D115	VR149700	Diode Stack	D8LD40 8.0A 400V	ダ イ オ ー ド ス タ ッ ク		04
D116	VR149700	Diode Stack	D8LD40 8.0A 400V	ダ イ オ ー ド ス タ ッ ク		04
D117	VU801600	Diode	1N4004L 26	ダ イ オ ー ド		01
D118	VU801600	Diode	1N4004L 26	ダ イ オ ー ド		01
D119	VU801600	Diode	1N4004L 26	ダ イ オ ー ド		01
D120	VU801600	Diode	1N4004L 26	ダ イ オ ー ド		01
D121	VD631600	Diode	1SS133,176,HSS104	ダ イ オ ー ド		01
D122	VD631600	Diode	1SS133,176,HSS104	ダ イ オ ー ド		01
D123	VN771700	Diode	D1NS4	ダ イ オ ー ド		01
D124	VN771700	Diode	D1NS4	ダ イ オ ー ド		01
D125	VN478200	Diode	D1NL20U	ダ イ オ ー ド		01
D126	VN771700	Diode	D1NS4	ダ イ オ ー ド		01
D127	VN771700	Diode	D1NS4	ダ イ オ ー ド		01
D128	VN478200	Diode	D1NL20U	ダ イ オ ー ド		01
D129	VS135800	Diode Stack	FMX-22S 10.0A 200V	ダ イ オ ー ド ス タ ッ ク		03
D130	VS135800	Diode Stack	FMX-22S 10.0A 200V	ダ イ オ ー ド ス タ ッ ク		03
L101	VY897300	Coil	100UH30A	コ イ ル		06
L102	VY897300	Coil	100UH30A	コ イ ル		06
Q105	VU418400	Transistor	2SA1371 D,E	ト ラ ン ジ ス タ		01
Q106	VU418600	Transistor	2SC3468 D,E	ト ラ ン ジ ス タ		01
Q107	IC260320	Transistor	2SC2603 E,F	ト ラ ン ジ ス タ		01
Q108	IA111520	Transistor	2SA1115 E,F	ト ラ ン ジ ス タ		01
Q109	VR152900	Transistor	2SC3790 E,F	ト ラ ン ジ ス タ		02
Q110	VR152800	Transistor	2SA1480 E,F	ト ラ ン ジ ス タ		02
Q111	VU418600	Transistor	2SC3468 D,E	ト ラ ン ジ ス タ		01
Q112	VU418400	Transistor	2SA1371 D,E	ト ラ ン ジ ス タ		01
Q133	IA097030	Transistor	2SA970 GR,BL	ト ラ ン ジ ス タ		01
Q134	IC224030	Transistor	2SC2240 GR,BL	ト ラ ン ジ ス タ		01
R101	HF456100	Carbon Resistor	1.0K 1/4 J	カ ー ボ ン 抵 抗		01
R102	HF455910	Carbon Resistor	910.0 1/4 J	カ ー ボ ン 抵 抗		01
R103	HF456100	Carbon Resistor	1.0K 1/4 J	カ ー ボ ン 抵 抗		01
R104	HF457470	Carbon Resistor	47.0K 1/4 J	カ ー ボ ン 抵 抗		01
R105	HF457470	Carbon Resistor	47.0K 1/4 J	カ ー ボ ン 抵 抗		01
R106	HF457470	Carbon Resistor	47.0K 1/4 J	カ ー ボ ン 抵 抗		01
R107	HF457470	Carbon Resistor	47.0K 1/4 J	カ ー ボ ン 抵 抗		01
R116	HF455220	Carbon Resistor	220.0 1/4 J	カ ー ボ ン 抵 抗		01
R117	HF455220	Carbon Resistor	220.0 1/4 J	カ ー ボ ン 抵 抗		01
R118	HF456560	Carbon Resistor	5.6K 1/4 J	カ ー ボ ン 抵 抗		01
R119	HF456560	Carbon Resistor	5.6K 1/4 J	カ ー ボ ン 抵 抗		01
R120	HF457150	Carbon Resistor	15.0K 1/4 J	カ ー ボ ン 抵 抗		01
R121	HF457150	Carbon Resistor	15.0K 1/4 J	カ ー ボ ン 抵 抗		01
R122	VV313900	Flame Proof C. Resistor	680.0 1/4 J	不 燃 化 カ ー ボ ン 抵 抗		01
R123	VV313900	Flame Proof C. Resistor	680.0 1/4 J	不 燃 化 カ ー ボ ン 抵 抗		01
R124	VZ009300	Flame Proof C. Resistor	330.0 1/4 J	不 燃 化 カ ー ボ ン 抵 抗		01
R125	VZ009300	Flame Proof C. Resistor	330.0 1/4 J	不 燃 化 カ ー ボ ン 抵 抗		01
R126	VV313800	Flame Proof C. Resistor	220.0 1/4 J	不 燃 化 カ ー ボ ン 抵 抗		01
R127	VV313800	Flame Proof C. Resistor	220.0 1/4 J	不 燃 化 カ ー ボ ン 抵 抗		01
R128	VZ008800	Flame Proof C. Resistor	22.0 1/4 J	不 燃 化 カ ー ボ ン 抵 抗		01
R129	VZ008800	Flame Proof C. Resistor	22.0 1/4 J	不 燃 化 カ ー ボ ン 抵 抗		01
R130	VZ008700	Flame Proof C. Resistor	2.2K 1/4 J	不 燃 化 カ ー ボ ン 抵 抗		01
R131	VZ008700	Flame Proof C. Resistor	2.2K 1/4 J	不 燃 化 カ ー ボ ン 抵 抗		01
R132	VZ009100	Flame Proof C. Resistor	33.0 1/4 J	不 燃 化 カ ー ボ ン 抵 抗		01
R133	VZ009100	Flame Proof C. Resistor	33.0 1/4 J	不 燃 化 カ ー ボ ン 抵 抗		01
R134	VZ008600	Flame Proof C. Resistor	150.0 1/4 J	不 燃 化 カ ー ボ ン 抵 抗		01
R135	VZ008600	Flame Proof C. Resistor	150.0 1/4 J	不 燃 化 カ ー ボ ン 抵 抗		01
R136	VZ009100	Flame Proof C. Resistor	33.0 1/4 J	不 燃 化 カ ー ボ ン 抵 抗		01
R137	VZ009100	Flame Proof C. Resistor	33.0 1/4 J	不 燃 化 カ ー ボ ン 抵 抗		01

\* New Parts (新規部品)

ランク : Japan only

REF NO.	PART NO.	DESCRIPTION	部 品 名	REMARKS	QTY	ランク
R138	VZ009100	Flame Proof C. Resistor	33.0 1/4 J	不燃化カーボン抵抗		01
R139	VZ009100	Flame Proof C. Resistor	33.0 1/4 J	不燃化カーボン抵抗		01
R141	VZ009100	Flame Proof C. Resistor	33.0 1/4 J	不燃化カーボン抵抗		01
R142	VZ009100	Flame Proof C. Resistor	33.0 1/4 J	不燃化カーボン抵抗		01
R143	VZ009100	Flame Proof C. Resistor	33.0 1/4 J	不燃化カーボン抵抗		01
R144	VZ009100	Flame Proof C. Resistor	33.0 1/4 J	不燃化カーボン抵抗		01
R146	VZ370100	Wire Wound Resistor	0.47 5W K	セメント抵抗		02
R147	VZ370100	Wire Wound Resistor	0.47 5W K	セメント抵抗		02
R148	VZ370100	Wire Wound Resistor	0.47 5W K	セメント抵抗		02
R149	VZ370100	Wire Wound Resistor	0.47 5W K	セメント抵抗		02
R151	VZ370100	Wire Wound Resistor	0.47 5W K	セメント抵抗		02
R152	VZ370100	Wire Wound Resistor	0.47 5W K	セメント抵抗		02
R153	VZ370100	Wire Wound Resistor	0.47 5W K	セメント抵抗		02
R154	VZ370100	Wire Wound Resistor	0.47 5W K	セメント抵抗		02
R156	VZ008800	Flame Proof C. Resistor	22.0 1/4 J	不燃化カーボン抵抗		01
R157	VZ008800	Flame Proof C. Resistor	22.0 1/4 J	不燃化カーボン抵抗		01
R158	VZ008800	Flame Proof C. Resistor	22.0 1/4 J	不燃化カーボン抵抗		01
R159	VZ008800	Flame Proof C. Resistor	22.0 1/4 J	不燃化カーボン抵抗		01
R161	VZ008800	Flame Proof C. Resistor	22.0 1/4 J	不燃化カーボン抵抗		01
R162	VZ008800	Flame Proof C. Resistor	22.0 1/4 J	不燃化カーボン抵抗		01
R163	VZ008800	Flame Proof C. Resistor	22.0 1/4 J	不燃化カーボン抵抗		01
R164	VZ008800	Flame Proof C. Resistor	22.0 1/4 J	不燃化カーボン抵抗		01
R166	VV313600	Flame Proof C. Resistor	2.2 1/4 J	不燃化カーボン抵抗		05
R167	VV313600	Flame Proof C. Resistor	2.2 1/4 J	不燃化カーボン抵抗		05
R168	VV313600	Flame Proof C. Resistor	2.2 1/4 J	不燃化カーボン抵抗		05
R169	VV313600	Flame Proof C. Resistor	2.2 1/4 J	不燃化カーボン抵抗		05
R170	VV313600	Flame Proof C. Resistor	2.2 1/4 J	不燃化カーボン抵抗		05
R171	VV313600	Flame Proof C. Resistor	2.2 1/4 J	不燃化カーボン抵抗		05
R172	VZ370200	Wire Wound Resistor	0.1 5W K	セメント抵抗		02
R173	VZ370200	Wire Wound Resistor	0.1 5W K	セメント抵抗		02
R174	VZ370200	Wire Wound Resistor	0.1 5W K	セメント抵抗		02
R175	VZ370200	Wire Wound Resistor	0.1 5W K	セメント抵抗		02
R176	VZ370200	Wire Wound Resistor	0.1 5W K	セメント抵抗		02
R177	VZ370200	Wire Wound Resistor	0.1 5W K	セメント抵抗		02
R178	VV058500	Flame Proof C. Resistor	10.0 1/4 J	不燃化カーボン抵抗		01
R179	VV058500	Flame Proof C. Resistor	10.0 1/4 J	不燃化カーボン抵抗		01
R180	VV058500	Flame Proof C. Resistor	10.0 1/4 J	不燃化カーボン抵抗		01
R181	VZ009100	Flame Proof C. Resistor	33.0 1/4 J	不燃化カーボン抵抗		01
R182	HF456220	Carbon Resistor	2.2K 1/4 J	カーボン抵抗		01
R183	HF457820	Carbon Resistor	82.0K 1/4 J	カーボン抵抗		01
R184	HF455470	Carbon Resistor	470.0 1/4 J	カーボン抵抗		01
R185	VZ009300	Flame Proof C. Resistor	330.0 1/4 J	不燃化カーボン抵抗		01
R186	VV276700	Flame Proof C. Resistor	4.7 1/4 J	不燃化カーボン抵抗		01
R187	VV313600	Flame Proof C. Resistor	2.2 1/4 J	不燃化カーボン抵抗		05
R188	VV313600	Flame Proof C. Resistor	2.2 1/4 J	不燃化カーボン抵抗		05
R189	VV313600	Flame Proof C. Resistor	2.2 1/4 J	不燃化カーボン抵抗		05
R190	VV313900	Flame Proof C. Resistor	680.0 1/4 J	不燃化カーボン抵抗		01
R191	VV058500	Flame Proof C. Resistor	10.0 1/4 J	不燃化カーボン抵抗		01
R192	VZ009100	Flame Proof C. Resistor	33.0 1/4 J	不燃化カーボン抵抗		01
R193	HF456220	Carbon Resistor	2.2K 1/4 J	カーボン抵抗		01
R194	HF457820	Carbon Resistor	82.0K 1/4 J	カーボン抵抗		01
R195	HF455470	Carbon Resistor	470.0 1/4 J	カーボン抵抗		01
R196	VZ009300	Flame Proof C. Resistor	330.0 1/4 J	不燃化カーボン抵抗		01
R197	VV276700	Flame Proof C. Resistor	4.7 1/4 J	不燃化カーボン抵抗		01
R198	VV313600	Flame Proof C. Resistor	2.2 1/4 J	不燃化カーボン抵抗		05
R199	VV313600	Flame Proof C. Resistor	2.2 1/4 J	不燃化カーボン抵抗		05
R200	VV313600	Flame Proof C. Resistor	2.2 1/4 J	不燃化カーボン抵抗		05
R201	VV313900	Flame Proof C. Resistor	680.0 1/4 J	不燃化カーボン抵抗		01
R202	HF454470	Carbon Resistor	47.0 1/4 J	カーボン抵抗		01
R203	HF455680	Carbon Resistor	680.0 1/4 J	カーボン抵抗		01
R204	HF455680	Carbon Resistor	680.0 1/4 J	カーボン抵抗		01
CN101	VV066300	Connector Base Post	M2426XX 3P TE	コネクタベースポスト		01
CN102	VV066400	Connector Base Post	M2426XX 4P TE	コネクタベースポスト		01
CN103	LB932030	Base Post Connector	VH- 3P TE	ベースポスト		01
CN104	LB932020	Base Post Connector	VH- 2P TE	ベースポスト		01
CN105	VV067600	Connector Base Post	M2426XXR 2P SE	コネクタベースポスト		01
CN106	VV067600	Connector Base Post	M2426XXR 2P SE	コネクタベースポスト		01
PR101	VL965100	Positive Thermistor	PTH9M04BE222TS2	ボジスタ		04
PR102	VL964800	Positive Thermistor	PTH9M04BH222TS2	ボジスタ		04

\* New Parts (新規部品)

ランク : Japan only



# C450 ELECTRICAL PARTS

REF. NO.	PART NO.	DESCRIPTION	部 品 名	REMARKS	QTY	ランク
	--	ELECTRICAL PARTS	電 気 部 品	C450		
		Circuit Board Assembly	CDC43U U	CDC43Uシート集成	(V007730)	
*	NX819310	Circuit Board	CDC43U 1/4 U	CDC43U1/4シート	(XT214D0)	
*	NX819320	Circuit Board	CDC43U 2/4 U	CDC43U2/4シート	(XT214D0)	
*	NX819330	Circuit Board	CDC43U 3/4 U	CDC43U3/4シート	(XT214D0)	
*	NX819340	Circuit Board	CDC43U 4/4 U	CDC43U4/4シート	(XT214D0)	
*	V0078000	Circuit Board	CIN35 J	CIN35シート	(XT284D0)	
*	VZ013300	Circuit Board	PA5 J	PA5シート	(XT285B0)	36
*	NX819310	Circuit Board	CDC43U 1/4 U	CDC43U1/4シート	(XT214D0)	
*	NX819320	Circuit Board	CDC43U 2/4 U	CDC43U2/4シート	(XT214D0)	
*	NX819330	Circuit Board	CDC43U 3/4 U	CDC43U3/4シート	(XT214D0)	
*	NX819340	Circuit Board	CDC43U 4/4 U	CDC43U4/4シート	(XT214D0)	
	VB763800	Bind Head Screw	SP 3.0X12 MFZN2Y	+ バインド小ネジ		01
	VV319600	Fuse Holder	CQ-05CT	ヒューズホルダ		01
	VV307300	LED Spacer	SR200	LEDスペーサ		01
	VV291400	Jumper Wire	0.6	ジャンパー線		01
E101	VZ703700	GND Angle		GND金具		
L101	V0076300	Coil	EI	コイル		
C101	VZ004400	Mylar Capacitor	0.1000 400V M	フィルムコン		01
C102	VZ004400	Mylar Capacitor	0.1000 400V M	フィルムコン		01
C103	VY897100	Electrolytic Cap.	2200 160V	ケミコン		08
C104	VY897100	Electrolytic Cap.	2200 160V	ケミコン		08
C105	VY897100	Electrolytic Cap.	2200 160V	ケミコン		08
C106	VY897100	Electrolytic Cap.	2200 160V	ケミコン		08
C107	VY897100	Electrolytic Cap.	2200 160V	ケミコン		08
C108	VY897100	Electrolytic Cap.	2200 160V	ケミコン		08
C110	UJ659100	Electrolytic Cap.	1000 35.0V	ケミコン		02
C111	UJ659100	Electrolytic Cap.	1000 35.0V	ケミコン		02
C112	FG652100	Ceramic Capacitor-SL	100P 50V J	セラコン ( S L )		01
△	C116	Capacitor	1000P 400V J.U.C.S	規格認定コン		01
△	C117	Capacitor	1000P 400V J.U.C.S	規格認定コン		01
	C121	Ceramic Capacitor-B	1000P 50V K	セラコン B		01
	C124	Ceramic Capacitor-B	1000P 50V K	セラコン B		01
	D101	Diode Stack	D25XB60 25.0A 600V	ダイオードスタック		06
	D102	Diode	1N4004L 26	ダイオード		01
	D103	Diode	1N4004L 26	ダイオード		01
	D104	Diode	1N4004L 26	ダイオード		01
	D105	Diode	1N4004L 26	ダイオード		01
	D106	Diode	1N4004L 26	ダイオード		01
	D108	Diode	1SS133,176,HSS104	ダイオード		01
	D109	Diode	1SS133,176,HSS104	ダイオード		01
	D110	Zener Diode	MTZ J 5.6B 5.6V	ツェナーダイオード		01
	D111	Zener Diode	MTZ J 5.6B 5.6V	ツェナーダイオード		01
	D112	Zener Diode	MTZ J 5.6B 5.6V	ツェナーダイオード		01
	D113	LED	LT321-41-C13 GR	L E D	SIGNAL A	01
	D114	LED	LT311G-41-C13 RE	L E D	CLIP A	01
	D115	LED	LT321-41-C13 GR	L E D	SIGNAL B	01
	D116	LED	LT311G-41-C13 RE	L E D	CLIP B	01
	D117	LED	LT311G-41-C13 RE	L E D	TEMP	01
	D118	LED	LT311G-41-C13 RE	L E D	PROTECTION	01
	D119	LED	LT311G-41-C13 RE	L E D	POWER	01
△	F101	Fuse	12.00A UL	ヒューズ		04
△	F102	Fuse	12.00A UL	ヒューズ		04
	F103	Fuse	TDS 1A 250V J/U/C	ヒューズ		01
	F104	Fuse	TDS 1A 250V J/U/C	ヒューズ		01
	H101	Heat Sink	S	ヒートシンク ( S )		05
	J101	Jumper Wire	0.6	ジャンパー線		01
	J102	Jumper Wire	0.6	ジャンパー線		01
	P101	Plastic Rivet	PR-08T GIN LIAN	ブラリベット		01
	Q101	Transistor	2SA1115 E,F	トランジスタ		01
	Q102	Transistor	2SC2603 E,F	トランジスタ		01
	Q103	Transistor	2SC2603 E,F	トランジスタ		01
	Q104	Transistor	2SC2603 E,F	トランジスタ		01
	Q105	Transistor	2SA1115 E,F	トランジスタ		01
	Q106	Transistor	2SC2603 E,F	トランジスタ		01
	Q107	Digital Transistor	DTA114ES	デジタルトランジスタ		03
	Q108	Transistor	2SC2603 E,F	トランジスタ		01
	Q109	Digital Transistor	DTA114ES	デジタルトランジスタ		03

\* New Parts (新規部品)

ランク : Japan only



REF NO.	PART NO.	DESCRIPTION	部 品 名	REMARKS	QTY	ランク
Q110	IC260320	Transistor	2SC2603 E,F	トランジスタ		01
Q111	IA111520	Transistor	2SA1115 E,F	トランジスタ		01
Q112	VS883300	Transistor	2SB1565 E,F	トランジスタ		01
Q113	IC260320	Transistor	2SC2603 E,F	トランジスタ		01
Q114	VD678500	Digital Transistor	DTA114ES	デジタルトランジスタ		03
Q115	VD678500	Digital Transistor	DTA114ES	デジタルトランジスタ		03
Q116	VD678700	Digital Transistor	DTC114ES	デジタルトランジスタ		03
Q117	IC260320	Transistor	2SC2603 E,F	トランジスタ		01
Q118	VD678500	Digital Transistor	DTA114ES	デジタルトランジスタ		03
Q119	VD678500	Digital Transistor	DTA114ES	デジタルトランジスタ		03
Q120	VD678700	Digital Transistor	DTC114ES	デジタルトランジスタ		03
Q121	VD678500	Digital Transistor	DTA114ES	デジタルトランジスタ		03
R101	HF457150	Carbon Resistor	15.0K 1/4 J	カーボン抵抗		01
R102	HF457220	Carbon Resistor	22.0K 1/4 J	カーボン抵抗		01
R103	HF457470	Carbon Resistor	47.0K 1/4 J	カーボン抵抗		01
R104	HF458150	Carbon Resistor	150.0K 1/4 J	カーボン抵抗		01
R105	HF458100	Carbon Resistor	100.0K 1/4 J	カーボン抵抗		01
R106	HF457100	Carbon Resistor	10.0K 1/4 J	カーボン抵抗		01
R107	HF457560	Carbon Resistor	56.0K 1/4 J	カーボン抵抗		01
R108	HF457680	Carbon Resistor	68.0K 1/4 J	カーボン抵抗		01
R109	HF456680	Carbon Resistor	6.8K 1/4 J	カーボン抵抗		01
R110	HF457560	Carbon Resistor	56.0K 1/4 J	カーボン抵抗		01
R111	HF457100	Carbon Resistor	10.0K 1/4 J	カーボン抵抗		01
R112	HF456820	Carbon Resistor	8.2K 1/4 J	カーボン抵抗		01
R113	HF456820	Carbon Resistor	8.2K 1/4 J	カーボン抵抗		01
R114	HF455220	Carbon Resistor	220.0 1/4 J	カーボン抵抗		01
R115	HF455220	Carbon Resistor	220.0 1/4 J	カーボン抵抗		01
R116	HF456470	Carbon Resistor	4.7K 1/4 J	カーボン抵抗		01
R117	HF457100	Carbon Resistor	10.0K 1/4 J	カーボン抵抗		01
R118	HF455220	Carbon Resistor	220.0 1/4 J	カーボン抵抗		01
R119	HF456470	Carbon Resistor	4.7K 1/4 J	カーボン抵抗		01
R120	HF455220	Carbon Resistor	220.0 1/4 J	カーボン抵抗		01
R121	HF456120	Carbon Resistor	1.2K 1/4 J	カーボン抵抗		01
R122	HF456120	Carbon Resistor	1.2K 1/4 J	カーボン抵抗		01
R123	HF456120	Carbon Resistor	1.2K 1/4 J	カーボン抵抗		01
R124	HF456120	Carbon Resistor	1.2K 1/4 J	カーボン抵抗		01
R125	HF456470	Carbon Resistor	4.7K 1/4 J	カーボン抵抗		01
R126	HF457100	Carbon Resistor	10.0K 1/4 J	カーボン抵抗		01
R127	HF455220	Carbon Resistor	220.0 1/4 J	カーボン抵抗		01
R128	HF456470	Carbon Resistor	4.7K 1/4 J	カーボン抵抗		01
R129	HF455220	Carbon Resistor	220.0 1/4 J	カーボン抵抗		01
R130	HF456120	Carbon Resistor	1.2K 1/4 J	カーボン抵抗		01
R131	HF456120	Carbon Resistor	1.2K 1/4 J	カーボン抵抗		01
R132	HF456120	Carbon Resistor	1.2K 1/4 J	カーボン抵抗		01
R133	HF456120	Carbon Resistor	1.2K 1/4 J	カーボン抵抗		01
R134	HF456120	Carbon Resistor	1.2K 1/4 J	カーボン抵抗		01
R135	HF456120	Carbon Resistor	1.2K 1/4 J	カーボン抵抗		01
R136	HF457820	Carbon Resistor	82.0K 1/4 J	カーボン抵抗		01
R137	HF456120	Carbon Resistor	1.2K 1/4 J	カーボン抵抗		01
R138	HF456120	Carbon Resistor	1.2K 1/4 J	カーボン抵抗		01
R139	HF456120	Carbon Resistor	1.2K 1/4 J	カーボン抵抗		01
R140	HF456120	Carbon Resistor	1.2K 1/4 J	カーボン抵抗		01
W101	--	Connector Assembly	E	東線	(VZ01490)	
W102	--	Connector Assembly	+B PRE	東線	(VZ01470)	
W103	--	Connector Assembly	+B PA	東線	(VZ01480)	
W104	--	Connector Assembly	+B PA	東線	(VZ01480)	
W105	--	Connector Assembly	P.SW YE	東線	(VZ01450)	
W106	--	Connector Assembly	P.SW BR	東線	(VZ01460)	
W107	--	Connector Assembly	P.SW BR	東線	(VZ01460)	
W202	--	Connector Assembly	2426&2426 10P 200L	東線 # 2 8	(VZ01550)	
W203	--	Connector Assembly	2426&2426 4P 300L	東線 # 2 8	(VZ01560)	
W204	--	Connector Assembly	2426&2426 4P 140L	東線 # 2 8	(VZ01570)	
W218	--	Connector Assembly	VR C450	東線	(V004420)	
W219	--	Connector Assembly	2426&2426 9P 450L	東線 # 2 8	(VZ01540)	
CN101	LB932030	Base Post Connector	VH- 3P TE	ベースポスト		01
CN102	VV067000	Connector Base Post	M2426XX 10P TE	コネクタベースポスト		01
CN103	VV066400	Connector Base Post	M2426XX 4P TE	コネクタベースポスト		01
CN104	VV066400	Connector Base Post	M2426XX 4P TE	コネクタベースポスト		01
CN106	VV066900	Connector Base Post	M2426XX 9P TE	コネクタベースポスト		01

\* New Parts (新規部品)

ランク : Japan only

REF. NO.	PART NO.	DESCRIPTION	部 品 名	REMARKS	QTY	ランク
CN107	VZ005700	Fasten Terminal	TP82223-22	ファストン端子		01
CN108	VZ005700	Fasten Terminal	TP82223-22	ファストン端子		01
CN109	VZ005700	Fasten Terminal	TP82223-22	ファストン端子		01
CN110	VZ005700	Fasten Terminal	TP82223-22	ファストン端子		01
CN111	VZ005700	Fasten Terminal	TP82223-22	ファストン端子		01
CN112	VZ005700	Fasten Terminal	TP82223-22	ファストン端子		01
CN113	VZ005700	Fasten Terminal	TP82223-22	ファストン端子		01
CN114	VZ005700	Fasten Terminal	TP82223-22	ファストン端子		01
CN115	VZ005700	Fasten Terminal	TP82223-22	ファストン端子		01
CN116	VZ005700	Fasten Terminal	TP82223-22	ファストン端子		01
CN117	VZ005700	Fasten Terminal	TP82223-22	ファストン端子		01
CN118	VV066600	Connector Base Post	M2426XX 6P TE	コネクタベースポスト		01
CN119	VV066900	Connector Base Post	M2426XX 9P TE	コネクタベースポスト		01
CN120	VV066200	Connector Base Post	M2426XX 2P TE	コネクタベースポスト		01
CN121	VV066200	Connector Base Post	M2426XX 2P TE	コネクタベースポスト		01
△ SW101	VY898100	Push Switch	SDDFA3107U-YL UCS	プッシュ S W	POWER	05
VR101	VI575600	Rotary Variable Resistor	5K	ロータリー V R	CHANNEL A	03
VR102	VI575600	Rotary Variable Resistor	5K	ロータリー V R	CHANNEL B	03
*	V0078000	Circuit Board	CIN35 J	C I N 3 5 シート	(XT284D0)	
	EP600140	Bind Head Tapping Screw-B	3.0X10 MFZN2BL	+ バインド B タイ		01
	VV291400	Jumper Wire	0.6	ジャンパー線		01
C101	FU451560	Mica Capacitor	56P 500V J	マイカコン		
C102	FU451560	Mica Capacitor	56P 500V J	マイカコン		
C103	FG644100	Ceramic Capacitor-F	0.0100 50V Z	セラコン F		01
C104	FG644100	Ceramic Capacitor-F	0.0100 50V Z	セラコン F		01
C105	FU451100	Mica Capacitor	10P 500V D	マイカコン		01
C106	VZ004000	Electrolytic Cap.-SK	2.2 200.0V	ケミコン S K		01
C107	VZ004000	Electrolytic Cap.-SK	2.2 200.0V	ケミコン S K		01
C109	FU451330	Mica Capacitor	33P 500V J	マイカコン		01
C110	FG652100	Ceramic Capacitor-SL	100P 50V J	セラコン ( S L )		01
C112	VV060100	Mylar Capacitor	1500P 50V J	マイラーコン		08
C113	VZ004200	Mylar Capacitor	0.1000 100V M	フィルムコン		01
C114	VZ004200	Mylar Capacitor	0.1000 100V M	フィルムコン		01
C115	VZ012200	Ceramic Capacitor-B	0.001 500V K	セラコン B		01
C116	VZ012200	Ceramic Capacitor-B	0.001 500V K	セラコン B		01
C201	FU451560	Mica Capacitor	56P 500V J	マイカコン		
C202	FU451560	Mica Capacitor	56P 500V J	マイカコン		
C203	FG644100	Ceramic Capacitor-F	0.0100 50V Z	セラコン F		01
C204	FG644100	Ceramic Capacitor-F	0.0100 50V Z	セラコン F		01
C206	VZ004000	Electrolytic Cap.-SK	2.2 200.0V	ケミコン S K		01
C207	VZ004000	Electrolytic Cap.-SK	2.2 200.0V	ケミコン S K		01
C209	FU451330	Mica Capacitor	33P 500V J	マイカコン		01
C210	FG652100	Ceramic Capacitor-SL	100P 50V J	セラコン ( S L )		01
C212	VV060100	Mylar Capacitor	1500P 50V J	マイラーコン		08
C213	VZ004200	Mylar Capacitor	0.1000 100V M	フィルムコン		01
C214	VZ004200	Mylar Capacitor	0.1000 100V M	フィルムコン		01
C215	VZ012200	Ceramic Capacitor-B	0.001 500V K	セラコン B		01
C216	VZ012200	Ceramic Capacitor-B	0.001 500V K	セラコン B		01
D101	VD631600	Diode	1SS133,176,HSS104	ダイオード		01
D102	VD631600	Diode	1SS133,176,HSS104	ダイオード		01
D103	VD631600	Diode	1SS133,176,HSS104	ダイオード		01
D104	VD631600	Diode	1SS133,176,HSS104	ダイオード		01
D105	VD631600	Diode	1SS133,176,HSS104	ダイオード		01
D106	VD631600	Diode	1SS133,176,HSS104	ダイオード		01
D107	VU801600	Diode	1N4004L 26	ダイオード		01
D201	VD631600	Diode	1SS133,176,HSS104	ダイオード		01
D202	VD631600	Diode	1SS133,176,HSS104	ダイオード		01
D203	VD631600	Diode	1SS133,176,HSS104	ダイオード		01
D204	VD631600	Diode	1SS133,176,HSS104	ダイオード		01
D205	VD631600	Diode	1SS133,176,HSS104	ダイオード		01
D206	VD631600	Diode	1SS133,176,HSS104	ダイオード		01
L101	VR150900	Coil	RZ-001 21MM	空芯コイル		02
L201	VR150900	Coil	RZ-001 21MM	空芯コイル		02
Q101	VU418400	Transistor	2SA1371 D,E	トランジスタ		01
Q102	VU418400	Transistor	2SA1371 D,E	トランジスタ		01
Q103	VU418400	Transistor	2SA1371 D,E	トランジスタ		01
Q104	VU418600	Transistor	2SC3468 D,E	トランジスタ		01
Q105	IC1815M0	Transistor	2SC1815 Y,GR	トランジスタ		01

\* New Parts (新規部品)

ランク : Japan only

REF NO.	PART NO.	DESCRIPTION	部 品 名	REMARKS	QTY	ランク
Q106	IC1815M0	Transistor	2SC1815 Y,GR	ト ラ ン ジ ス タ		01
Q107	IC1815M0	Transistor	2SC1815 Y,GR	ト ラ ン ジ ス タ		01
Q108	VR152800	Transistor	2SA1480 E,F	ト ラ ン ジ ス タ		02
Q109	IA101590	Transistor	2SA1015 O,Y	ト ラ ン ジ ス タ		01
Q110	VR152900	Transistor	2SC3790 E,F	ト ラ ン ジ ス タ		02
Q201	VU418400	Transistor	2SA1371 D,E	ト ラ ン ジ ス タ		01
Q202	VU418400	Transistor	2SA1371 D,E	ト ラ ン ジ ス タ		01
Q203	VU418400	Transistor	2SA1371 D,E	ト ラ ン ジ ス タ		01
Q204	VU418600	Transistor	2SC3468 D,E	ト ラ ン ジ ス タ		01
Q205	IC1815M0	Transistor	2SC1815 Y,GR	ト ラ ン ジ ス タ		01
Q206	IC1815M0	Transistor	2SC1815 Y,GR	ト ラ ン ジ ス タ		01
Q207	IC1815M0	Transistor	2SC1815 Y,GR	ト ラ ン ジ ス タ		01
Q208	VR152800	Transistor	2SA1480 E,F	ト ラ ン ジ ス タ		02
Q209	IA101590	Transistor	2SA1015 O,Y	ト ラ ン ジ ス タ		01
Q210	VR152900	Transistor	2SC3790 E,F	ト ラ ン ジ ス タ		02
R101	VZ009900	Metal Film Resistor	15K 1/4 F	金 属 被 膜 抵 抗		01
R102	VZ009900	Metal Film Resistor	15K 1/4 F	金 属 被 膜 抵 抗		01
R103	VZ009900	Metal Film Resistor	15K 1/4 F	金 属 被 膜 抵 抗		01
R104	VZ009900	Metal Film Resistor	15K 1/4 F	金 属 被 膜 抵 抗		01
R105	HF454180	Carbon Resistor	18.0 1/4 J	カ ー ボ ン 抵 抗		01
R106	VV065200	Metal Film Resistor	4.7K 1/4 F	金 属 被 膜 抵 抗		05
R107	VV065200	Metal Film Resistor	4.7K 1/4 F	金 属 被 膜 抵 抗		05
R108	HF454180	Carbon Resistor	18.0 1/4 J	カ ー ボ ン 抵 抗		01
R109	HF456470	Carbon Resistor	4.7K 1/4 J	カ ー ボ ン 抵 抗		01
R110	HF457220	Carbon Resistor	22.0K 1/4 J	カ ー ボ ン 抵 抗		01
R111	VZ010600	Metal Film Resistor	560.0 1/4 F	金 属 被 膜 抵 抗		01
R112	VV065600	Metal Film Resistor	11K 1/4 F	金 属 被 膜 抵 抗		05
R113	VV065600	Metal Film Resistor	11K 1/4 F	金 属 被 膜 抵 抗		05
R114	HF455560	Carbon Resistor	560.0 1/4 J	カ ー ボ ン 抵 抗		01
R115	HF457100	Carbon Resistor	10.0K 1/4 J	カ ー ボ ン 抵 抗		01
R116	HF458330	Carbon Resistor	330.0K 1/4 J	カ ー ボ ン 抵 抗		01
R117	HF455560	Carbon Resistor	560.0 1/4 J	カ ー ボ ン 抵 抗		01
R118	HF455560	Carbon Resistor	560.0 1/4 J	カ ー ボ ン 抵 抗		01
R119	HF455200	Carbon Resistor	200.0 1/4 J	カ ー ボ ン 抵 抗		01
R120	HF457470	Carbon Resistor	47.0K 1/4 J	カ ー ボ ン 抵 抗		01
R121	HF457470	Carbon Resistor	47.0K 1/4 J	カ ー ボ ン 抵 抗		01
R122	HF455220	Carbon Resistor	220.0 1/4 J	カ ー ボ ン 抵 抗		01
R123	HF457470	Carbon Resistor	47.0K 1/4 J	カ ー ボ ン 抵 抗		01
R124	HF457470	Carbon Resistor	47.0K 1/4 J	カ ー ボ ン 抵 抗		01
R125	HF457470	Carbon Resistor	47.0K 1/4 J	カ ー ボ ン 抵 抗		01
R126	HF457470	Carbon Resistor	47.0K 1/4 J	カ ー ボ ン 抵 抗		01
R127	HF455330	Carbon Resistor	330.0 1/4 J	カ ー ボ ン 抵 抗		01
R128	HF455330	Carbon Resistor	330.0 1/4 J	カ ー ボ ン 抵 抗		01
R129	VZ009400	Flame Proof C. Resistor	820.0 1/4 J	不 燃 化 カ ー ボ ン 抵 抗		01
R130	VZ009400	Flame Proof C. Resistor	820.0 1/4 J	不 燃 化 カ ー ボ ン 抵 抗		01
R131	VY997600	Metal Oxide Film Resistor	4.7 3W J	サ ン キ ン 抵 抗		01
R132	VY997600	Metal Oxide Film Resistor	4.7 3W J	サ ン キ ン 抵 抗		01
R133	VV276700	Flame Proof C. Resistor	4.7 1/4 J	不 燃 化 カ ー ボ ン 抵 抗		01
R134	HF457270	Carbon Resistor	27.0K 1/4 J	カ ー ボ ン 抵 抗		01
R135	HF458150	Carbon Resistor	150.0K 1/4 J	カ ー ボ ン 抵 抗		01
R136	HF456100	Carbon Resistor	1.0K 1/4 J	カ ー ボ ン 抵 抗		01
R201	VZ009900	Metal Film Resistor	15K 1/4 F	金 属 被 膜 抵 抗		01
R202	VZ009900	Metal Film Resistor	15K 1/4 F	金 属 被 膜 抵 抗		01
R203	VZ009900	Metal Film Resistor	15K 1/4 F	金 属 被 膜 抵 抗		01
R204	VZ009900	Metal Film Resistor	15K 1/4 F	金 属 被 膜 抵 抗		01
R205	HF454180	Carbon Resistor	18.0 1/4 J	カ ー ボ ン 抵 抗		01
R210	HF457220	Carbon Resistor	22.0K 1/4 J	カ ー ボ ン 抵 抗		01
R211	VZ010600	Metal Film Resistor	560.0 1/4 F	金 属 被 膜 抵 抗		01
R212	VV065600	Metal Film Resistor	11K 1/4 F	金 属 被 膜 抵 抗		05
R213	VV065600	Metal Film Resistor	11K 1/4 F	金 属 被 膜 抵 抗		05
R214	HF455560	Carbon Resistor	560.0 1/4 J	カ ー ボ ン 抵 抗		01
R215	HF457100	Carbon Resistor	10.0K 1/4 J	カ ー ボ ン 抵 抗		01
R216	HF458330	Carbon Resistor	330.0K 1/4 J	カ ー ボ ン 抵 抗		01
R217	HF455560	Carbon Resistor	560.0 1/4 J	カ ー ボ ン 抵 抗		01
R218	HF455560	Carbon Resistor	560.0 1/4 J	カ ー ボ ン 抵 抗		01
R219	HF455200	Carbon Resistor	200.0 1/4 J	カ ー ボ ン 抵 抗		01
R220	HF457470	Carbon Resistor	47.0K 1/4 J	カ ー ボ ン 抵 抗		01
R221	HF457470	Carbon Resistor	47.0K 1/4 J	カ ー ボ ン 抵 抗		01
R222	HF455220	Carbon Resistor	220.0 1/4 J	カ ー ボ ン 抵 抗		01

\* New Parts (新規部品)

ランク : Japan only

REF NO.	PART NO.	DESCRIPTION	部 品 名	REMARKS	QTY	ランク
R223	HF457470	Carbon Resistor	47.0K 1/4 J	カ ー ボ ン 抵 抗		01
R224	HF457470	Carbon Resistor	47.0K 1/4 J	カ ー ボ ン 抵 抗		01
R225	HF457470	Carbon Resistor	47.0K 1/4 J	カ ー ボ ン 抵 抗		01
R226	HF457470	Carbon Resistor	47.0K 1/4 J	カ ー ボ ン 抵 抗		01
R227	HF455330	Carbon Resistor	330.0 1/4 J	カ ー ボ ン 抵 抗		01
R228	HF455330	Carbon Resistor	330.0 1/4 J	カ ー ボ ン 抵 抗		01
R229	VZ009400	Flame Proof C. Resistor	820.0 1/4 J	不 燃 化 カ ー ボ ン 抵 抗		01
R230	VZ009400	Flame Proof C. Resistor	820.0 1/4 J	不 燃 化 カ ー ボ ン 抵 抗		01
R231	VY997600	Metal Oxide Film Resistor	4.7 3W J	サ ン キ ン 抵 抗		01
R232	VY997600	Metal Oxide Film Resistor	4.7 3W J	サ ン キ ン 抵 抗		01
R233	VV276700	Flame Proof C. Resistor	4.7 1/4 J	不 燃 化 カ ー ボ ン 抵 抗		01
R234	HF457270	Carbon Resistor	27.0K 1/4 J	カ ー ボ ン 抵 抗		01
R235	HF458150	Carbon Resistor	150.0K 1/4 J	カ ー ボ ン 抵 抗		01
R236	HF456100	Carbon Resistor	1.0K 1/4 J	カ ー ボ ン 抵 抗		01
T101	VY937000	Terminal Angle	Q150/350/500	タ ー ミ ナ ル ア ン グ ル		03
* T102	VZ956700	Terminal Angle	C-SERIES 4P	タ ー ミ ナ ル ア ン グ ル 4 P		
W104	--	Connector Assembly	2426&2426 3P 100L	束 線 # 2 8	(VZ01590)	
W107	--	Connector Assembly	SP 135A	束 線	(VZ01500)	
W204	--	Connector Assembly	2426&2426 3P 80L	束 線 # 2 8	(VZ01600)	
W207	--	Connector Assembly	SP 35B	束 線	(VZ01510)	
CN101	VY898000	Lug Terminal	DT-55-A14W-06	貫 通 端 子 台		06
CN102	VV066600	Connector Base Post	M2426XX 6P TE	コ ネ ク タ ベ ー ス ポ ス ト		01
CN103	LB932020	Base Post Connector	VH- 2P TE	ベ ー ス ポ ス ト		01
CN104	VV066300	Connector Base Post	M2426XX 3P TE	コ ネ ク タ ベ ー ス ポ ス ト		01
CN106	VV067000	Connector Base Post	M2426XX 10P TE	コ ネ ク タ ベ ー ス ポ ス ト		01
CN107	LB932020	Base Post Connector	VH- 2P TE	ベ ー ス ポ ス ト		01
CN108	LB932020	Base Post Connector	VH- 2P TE	ベ ー ス ポ ス ト		01
CN204	VV066300	Connector Base Post	M2426XX 3P TE	コ ネ ク タ ベ ー ス ポ ス ト		01
CN207	LB932020	Base Post Connector	VH- 2P TE	ベ ー ス ポ ス ト		01
IC101	XM085A00	IC	M5238AP	C	OP AMP	03
IC102	XK841A00	IC	NJM7818FA	C	REGULATOR +18V	02
IC103	XK842A00	IC	NJM7918FA	C	REGULATOR -18V	02
IC201	XM085A00	IC	M5238AP	C	OP AMP	03
JK101	VS133800	XLM Connector	NC3FAH1-0	キ ャ ノ ン コ ネ ク タ	INPUT A (XLR-3-31)	04
JK201	VS133800	XLM Connector	NC3FAH1-0	キ ャ ノ ン コ ネ ク タ	INPUT B (XLR-3-31)	04
RY101	VV315400	Relay	DC OSA-SH-224DM3M	リ レ ー 2 4 V		06
RY201	VV315400	Relay	DC OSA-SH-224DM3M	リ レ ー 2 4 V		06
* SP101	V2036900	Lug Terminal	DT-55-A14W-04	貫 通 端 子 台	SPEAKERS	
SW101	VY898200	Slide Switch	SSSF123NB2-YL L=9	ス ラ イ ド S W	STEREO/BRIDGE/PARALLEL	01
	VZ013300	Circuit Board	PA5 J	P A 5 シ ー ト	(XT285B0)	36
	VV291400	Jumper Wire	0.6	ジ ャ ン パ ー 線		01
C101	FG652100	Ceramic Capacitor-SL	100P 50V J	セ ラ コ ン ( S L )		01
C102	FU451220	Mica Capacitor	22P 500V J	マ イ カ コ ン		01
C103	FU451220	Mica Capacitor	22P 500V J	マ イ カ コ ン		01
C104	FG644100	Ceramic Capacitor-F	0.0100 50V Z	セ ラ コ ン F		01
C105	FG644100	Ceramic Capacitor-F	0.0100 50V Z	セ ラ コ ン F		01
C106	UJ896470	Electrolytic Cap.	4.7 100.0V	ケ ミ コ ン		01
C107	UJ896470	Electrolytic Cap.	4.7 100.0V	ケ ミ コ ン		01
C108	UJ847100	Electrolytic Cap.	10.00 25.0V	ケ ミ コ ン		01
C109	FU451100	Mica Capacitor	10P 500V D	マ イ カ コ ン		01
C110	FU451100	Mica Capacitor	10P 500V D	マ イ カ コ ン		01
C111	FU452100	Mica Capacitor	100P 500V J	マ イ カ コ ン		01
C112	FU452100	Mica Capacitor	100P 500V J	マ イ カ コ ン		01
C113	FG644100	Ceramic Capacitor-F	0.0100 50V Z	セ ラ コ ン F		01
C114	FG644100	Ceramic Capacitor-F	0.0100 50V Z	セ ラ コ ン F		01
C115	VZ004000	Electrolytic Cap.-SK	2.2 200.0V	ケ ミ コ ン S K		01
C116	VZ004000	Electrolytic Cap.-SK	2.2 200.0V	ケ ミ コ ン S K		01
C117	VV059800	Mylar Capacitor	1000P 50V J	マ イ ラ ー コ ン		08
C118	VV059800	Mylar Capacitor	1000P 50V J	マ イ ラ ー コ ン		08
C119	VY897200	Mylar Capacitor	3.3000 250V M	フ ィ ル ム コ ン		03
C120	VY897200	Mylar Capacitor	3.3000 250V M	フ ィ ル ム コ ン		03
C121	VZ004000	Electrolytic Cap.-SK	2.2 200.0V	ケ ミ コ ン S K		01
C122	VZ004000	Electrolytic Cap.-SK	2.2 200.0V	ケ ミ コ ン S K		01
C123	FU451470	Mica Capacitor	47P 500V J	マ イ カ コ ン		01
C124	FU451470	Mica Capacitor	47P 500V J	マ イ カ コ ン		01
C125	VV314600	Ceramic Capacitor-B	0.0022 500V K	セ ラ コ ン B		01
C126	VV314600	Ceramic Capacitor-B	0.0022 500V K	セ ラ コ ン B		01
C127	VZ003800	Electrolytic Cap.-SK	100.0 160.0V	ケ ミ コ ン S K		02

\* New Parts (新規部品)

ランク : Japan only

REF NO.	PART NO.	DESCRIPTION	部 品 名	REMARKS	QTY	ランク
C128	VZ003800	Electrolytic Cap.-SK	100.0 160.0V	ケ ミ コ ン S K		02
C129	FG644100	Ceramic Capacitor-F	0.0100 50V Z	セ ラ コ ン F		01
D101	IF005560	Diode	1SS82TD	ダ イ オ ー ド		01
D102	VG437700	Zener Diode	MTZ J 5.6B 5.6V	ツ ェ ナ ー ダ イ オ ー ド		01
D103	VG437700	Zener Diode	MTZ J 5.6B 5.6V	ツ ェ ナ ー ダ イ オ ー ド		01
D104	IF005560	Diode	1SS82TD	ダ イ オ ー ド		01
D105	VG438900	Zener Diode	MTZ J 8.2B 8.2V	ツ ェ ナ ー ダ イ オ ー ド		01
D106	VG438900	Zener Diode	MTZ J 8.2B 8.2V	ツ ェ ナ ー ダ イ オ ー ド		01
D107	VD631600	Diode	1SS133,176,HSS104	ダ イ オ ー ド		01
D108	VD631600	Diode	1SS133,176,HSS104	ダ イ オ ー ド		01
D109	IF005560	Diode	1SS82TD	ダ イ オ ー ド		01
D110	IF005560	Diode	1SS82TD	ダ イ オ ー ド		01
D111	IF005560	Diode	1SS82TD	ダ イ オ ー ド		01
D112	IF005560	Diode	1SS82TD	ダ イ オ ー ド		01
D113	VN478200	Diode	D1NL20U	ダ イ オ ー ド		01
D114	VN478200	Diode	D1NL20U	ダ イ オ ー ド		01
D115	VR149700	Diode Stack	D8LD40 8.0A 400V	ダ イ オ ー ド ス タ ッ ク		04
D116	VR149700	Diode Stack	D8LD40 8.0A 400V	ダ イ オ ー ド ス タ ッ ク		04
D117	VU801600	Diode	1N4004L 26	ダ イ オ ー ド		01
D118	VU801600	Diode	1N4004L 26	ダ イ オ ー ド		01
D119	VU801600	Diode	1N4004L 26	ダ イ オ ー ド		01
D120	VU801600	Diode	1N4004L 26	ダ イ オ ー ド		01
D121	VD631600	Diode	1SS133,176,HSS104	ダ イ オ ー ド		01
D122	VD631600	Diode	1SS133,176,HSS104	ダ イ オ ー ド		01
D123	VN771700	Diode	D1NS4	ダ イ オ ー ド		01
D124	VN771700	Diode	D1NS4	ダ イ オ ー ド		01
D125	VN478200	Diode	D1NL20U	ダ イ オ ー ド		01
D126	VN771700	Diode	D1NS4	ダ イ オ ー ド		01
D127	VN771700	Diode	D1NS4	ダ イ オ ー ド		01
D128	VN478200	Diode	D1NL20U	ダ イ オ ー ド		01
D129	VS135800	Diode Stack	FMX-22S 10.0A 200V	ダ イ オ ー ド ス タ ッ ク		03
D130	VS135800	Diode Stack	FMX-22S 10.0A 200V	ダ イ オ ー ド ス タ ッ ク		03
L101	VY897300	Coil	100UH30A	コ イ ル		06
L102	VY897300	Coil	100UH30A	コ イ ル		06
Q103	VU418600	Transistor	2SC3468 D,E	ト ラ ン ジ ス タ		01
Q104	VU418400	Transistor	2SA1371 D,E	ト ラ ン ジ ス タ		01
Q105	VU418400	Transistor	2SA1371 D,E	ト ラ ン ジ ス タ		01
Q106	VU418600	Transistor	2SC3468 D,E	ト ラ ン ジ ス タ		01
Q107	IC260320	Transistor	2SC2603 E,F	ト ラ ン ジ ス タ		01
Q108	IA111520	Transistor	2SA1115 E,F	ト ラ ン ジ ス タ		01
Q109	VR152900	Transistor	2SC3790 E,F	ト ラ ン ジ ス タ		02
Q110	VR152800	Transistor	2SA1480 E,F	ト ラ ン ジ ス タ		02
Q111	VU418600	Transistor	2SC3468 D,E	ト ラ ン ジ ス タ		01
Q112	VU418400	Transistor	2SA1371 D,E	ト ラ ン ジ ス タ		01
Q133	IA097030	Transistor	2SA970 GR,BL	ト ラ ン ジ ス タ		01
Q134	IC224030	Transistor	2SC2240 GR,BL	ト ラ ン ジ ス タ		01
R101	HF456100	Carbon Resistor	1.0K 1/4 J	カ ー ボ ン 抵 抗		01
R102	HF455910	Carbon Resistor	910.0 1/4 J	カ ー ボ ン 抵 抗		01
R103	HF456100	Carbon Resistor	1.0K 1/4 J	カ ー ボ ン 抵 抗		01
R104	HF457470	Carbon Resistor	47.0K 1/4 J	カ ー ボ ン 抵 抗		01
R105	HF457470	Carbon Resistor	47.0K 1/4 J	カ ー ボ ン 抵 抗		01
R106	HF457470	Carbon Resistor	47.0K 1/4 J	カ ー ボ ン 抵 抗		01
R107	HF457470	Carbon Resistor	47.0K 1/4 J	カ ー ボ ン 抵 抗		01
R108	HF457150	Carbon Resistor	15.0K 1/4 J	カ ー ボ ン 抵 抗		01
R109	VZ009500	Metal Film Resistor	680K 1/4 F	金 属 被 膜 抵 抗		01
R110	VV065800	Metal Film Resistor	20K 1/4 F	金 属 被 膜 抵 抗		05
R111	VV065800	Metal Film Resistor	20K 1/4 F	金 属 被 膜 抵 抗		05
R112	VV065800	Metal Film Resistor	20K 1/4 F	金 属 被 膜 抵 抗		05
R113	VV065800	Metal Film Resistor	20K 1/4 F	金 属 被 膜 抵 抗		05
R114	VZ009500	Metal Film Resistor	680K 1/4 F	金 属 被 膜 抵 抗		01
R115	HF457150	Carbon Resistor	15.0K 1/4 J	カ ー ボ ン 抵 抗		01
R116	HF455220	Carbon Resistor	220.0 1/4 J	カ ー ボ ン 抵 抗		01
R117	HF455220	Carbon Resistor	220.0 1/4 J	カ ー ボ ン 抵 抗		01
R118	HF456560	Carbon Resistor	5.6K 1/4 J	カ ー ボ ン 抵 抗		01
R119	HF456560	Carbon Resistor	5.6K 1/4 J	カ ー ボ ン 抵 抗		01
R120	HF457180	Carbon Resistor	18.0K 1/4 J	カ ー ボ ン 抵 抗		01
R121	HF457180	Carbon Resistor	18.0K 1/4 J	カ ー ボ ン 抵 抗		01
R122	VV313900	Flame Proof C. Resistor	680.0 1/4 J	不 燃 化 カ ー ボ ン 抵 抗		01
R123	VV313900	Flame Proof C. Resistor	680.0 1/4 J	不 燃 化 カ ー ボ ン 抵 抗		01

\* New Parts (新規部品)

ランク : Japan only

REF NO.	PART NO.	DESCRIPTION	部 品 名	REMARKS	QTY	ランク
R124	VZ009300	Flame Proof C. Resistor	330.0 1/4 J	不燃化カーボン抵抗		01
R125	VZ009300	Flame Proof C. Resistor	330.0 1/4 J	不燃化カーボン抵抗		01
R126	VV313800	Flame Proof C. Resistor	220.0 1/4 J	不燃化カーボン抵抗		01
R127	VV313800	Flame Proof C. Resistor	220.0 1/4 J	不燃化カーボン抵抗		01
R128	VZ008800	Flame Proof C. Resistor	22.0 1/4 J	不燃化カーボン抵抗		01
R129	VZ008800	Flame Proof C. Resistor	22.0 1/4 J	不燃化カーボン抵抗		01
R130	VZ008700	Flame Proof C. Resistor	2.2K 1/4 J	不燃化カーボン抵抗		01
R131	VZ008700	Flame Proof C. Resistor	2.2K 1/4 J	不燃化カーボン抵抗		01
R132	VZ009100	Flame Proof C. Resistor	33.0 1/4 J	不燃化カーボン抵抗		01
R133	VZ009100	Flame Proof C. Resistor	33.0 1/4 J	不燃化カーボン抵抗		01
R134	VZ008600	Flame Proof C. Resistor	150.0 1/4 J	不燃化カーボン抵抗		01
R135	VZ008600	Flame Proof C. Resistor	150.0 1/4 J	不燃化カーボン抵抗		01
R136	VZ009100	Flame Proof C. Resistor	33.0 1/4 J	不燃化カーボン抵抗		01
R137	VZ009100	Flame Proof C. Resistor	33.0 1/4 J	不燃化カーボン抵抗		01
R138	VZ009100	Flame Proof C. Resistor	33.0 1/4 J	不燃化カーボン抵抗		01
R139	VZ009100	Flame Proof C. Resistor	33.0 1/4 J	不燃化カーボン抵抗		01
R140	VZ009100	Flame Proof C. Resistor	33.0 1/4 J	不燃化カーボン抵抗		01
R141	VZ009100	Flame Proof C. Resistor	33.0 1/4 J	不燃化カーボン抵抗		01
R142	VZ009100	Flame Proof C. Resistor	33.0 1/4 J	不燃化カーボン抵抗		01
R143	VZ009100	Flame Proof C. Resistor	33.0 1/4 J	不燃化カーボン抵抗		01
R144	VZ009100	Flame Proof C. Resistor	33.0 1/4 J	不燃化カーボン抵抗		01
R145	VZ009100	Flame Proof C. Resistor	33.0 1/4 J	不燃化カーボン抵抗		01
R146	VZ370100	Wire Wound Resistor	0.47 5W K	セメント抵抗		02
R147	VZ370100	Wire Wound Resistor	0.47 5W K	セメント抵抗		02
R148	VZ370100	Wire Wound Resistor	0.47 5W K	セメント抵抗		02
R149	VZ370100	Wire Wound Resistor	0.47 5W K	セメント抵抗		02
R150	VZ370100	Wire Wound Resistor	0.47 5W K	セメント抵抗		02
R151	VZ370100	Wire Wound Resistor	0.47 5W K	セメント抵抗		02
R152	VZ370100	Wire Wound Resistor	0.47 5W K	セメント抵抗		02
R153	VZ370100	Wire Wound Resistor	0.47 5W K	セメント抵抗		02
R154	VZ370100	Wire Wound Resistor	0.47 5W K	セメント抵抗		02
R155	VZ370100	Wire Wound Resistor	0.47 5W K	セメント抵抗		02
R156	VZ008800	Flame Proof C. Resistor	22.0 1/4 J	不燃化カーボン抵抗		01
R157	VZ008800	Flame Proof C. Resistor	22.0 1/4 J	不燃化カーボン抵抗		01
R158	VZ008800	Flame Proof C. Resistor	22.0 1/4 J	不燃化カーボン抵抗		01
R159	VZ008800	Flame Proof C. Resistor	22.0 1/4 J	不燃化カーボン抵抗		01
R160	VZ008800	Flame Proof C. Resistor	22.0 1/4 J	不燃化カーボン抵抗		01
R161	VZ008800	Flame Proof C. Resistor	22.0 1/4 J	不燃化カーボン抵抗		01
R162	VZ008800	Flame Proof C. Resistor	22.0 1/4 J	不燃化カーボン抵抗		01
R163	VZ008800	Flame Proof C. Resistor	22.0 1/4 J	不燃化カーボン抵抗		01
R164	VZ008800	Flame Proof C. Resistor	22.0 1/4 J	不燃化カーボン抵抗		01
R165	VZ008800	Flame Proof C. Resistor	22.0 1/4 J	不燃化カーボン抵抗		01
R166	VV313600	Flame Proof C. Resistor	2.2 1/4 J	不燃化カーボン抵抗		05
R167	VV313600	Flame Proof C. Resistor	2.2 1/4 J	不燃化カーボン抵抗		05
R168	VV313600	Flame Proof C. Resistor	2.2 1/4 J	不燃化カーボン抵抗		05
R169	VV313600	Flame Proof C. Resistor	2.2 1/4 J	不燃化カーボン抵抗		05
R170	VV313600	Flame Proof C. Resistor	2.2 1/4 J	不燃化カーボン抵抗		05
R171	VV313600	Flame Proof C. Resistor	2.2 1/4 J	不燃化カーボン抵抗		05
R172	VZ370200	Wire Wound Resistor	0.1 5W K	セメント抵抗		02
R173	VZ370200	Wire Wound Resistor	0.1 5W K	セメント抵抗		02
R174	VZ370200	Wire Wound Resistor	0.1 5W K	セメント抵抗		02
R175	VZ370200	Wire Wound Resistor	0.1 5W K	セメント抵抗		02
R176	VZ370200	Wire Wound Resistor	0.1 5W K	セメント抵抗		02
R177	VZ370200	Wire Wound Resistor	0.1 5W K	セメント抵抗		02
R178	VV058500	Flame Proof C. Resistor	10.0 1/4 J	不燃化カーボン抵抗		01
R179	VV058500	Flame Proof C. Resistor	10.0 1/4 J	不燃化カーボン抵抗		01
R180	VV058500	Flame Proof C. Resistor	10.0 1/4 J	不燃化カーボン抵抗		01
R181	VZ009100	Flame Proof C. Resistor	33.0 1/4 J	不燃化カーボン抵抗		01
R182	HF456220	Carbon Resistor	2.2K 1/4 J	カーボン抵抗		01
R183	HF457820	Carbon Resistor	82.0K 1/4 J	カーボン抵抗		01
R184	HF455470	Carbon Resistor	470.0 1/4 J	カーボン抵抗		01
R185	VZ009300	Flame Proof C. Resistor	330.0 1/4 J	不燃化カーボン抵抗		01
R186	VV276700	Flame Proof C. Resistor	4.7 1/4 J	不燃化カーボン抵抗		01
R187	VV313600	Flame Proof C. Resistor	2.2 1/4 J	不燃化カーボン抵抗		05
R188	VV313600	Flame Proof C. Resistor	2.2 1/4 J	不燃化カーボン抵抗		05
R189	VV313600	Flame Proof C. Resistor	2.2 1/4 J	不燃化カーボン抵抗		05
R190	VV313900	Flame Proof C. Resistor	680.0 1/4 J	不燃化カーボン抵抗		01
R191	VV058500	Flame Proof C. Resistor	10.0 1/4 J	不燃化カーボン抵抗		01
R192	VZ009100	Flame Proof C. Resistor	33.0 1/4 J	不燃化カーボン抵抗		01

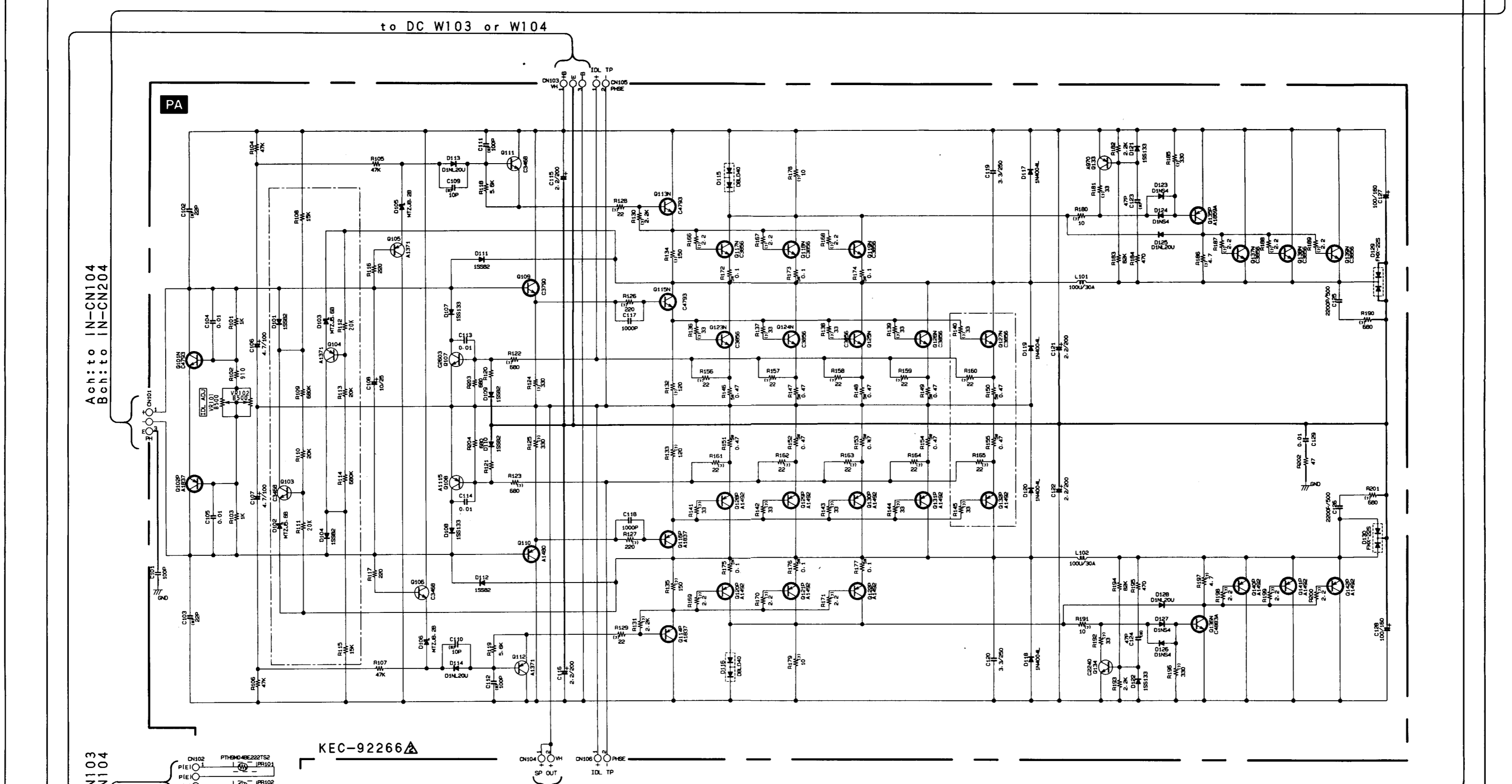
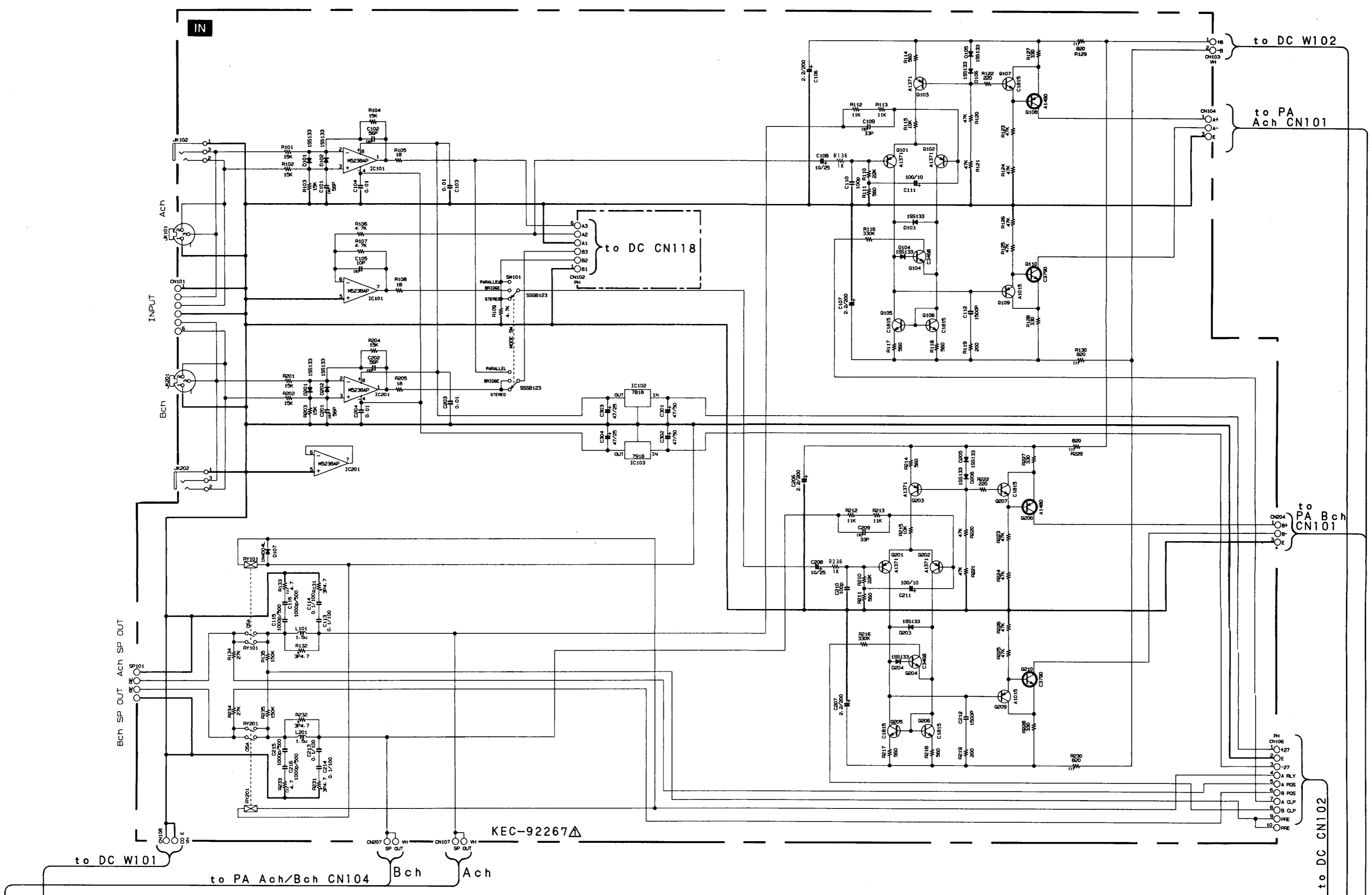
\* New Parts (新規部品)

ランク : Japan only

REF. NO.	PART NO.	DESCRIPTION	部 品 名	REMARKS	QTY	ランク
R193	HF456220	Carbon Resistor	2.2K 1/4 J	カ ー ボ ン 抵 抗		01
R194	HF457820	Carbon Resistor	82.0K 1/4 J	カ ー ボ ン 抵 抗		01
R195	HF455470	Carbon Resistor	470.0 1/4 J	カ ー ボ ン 抵 抗		01
R196	VZ009300	Flame Proof C. Resistor	330.0 1/4 J	不 燃 化 カ ー ボ ン 抵 抗		01
R197	VV276700	Flame Proof C. Resistor	4.7 1/4 J	不 燃 化 カ ー ボ ン 抵 抗		01
R198	VV313600	Flame Proof C. Resistor	2.2 1/4 J	不 燃 化 カ ー ボ ン 抵 抗		05
R199	VV313600	Flame Proof C. Resistor	2.2 1/4 J	不 燃 化 カ ー ボ ン 抵 抗		05
R200	VV313600	Flame Proof C. Resistor	2.2 1/4 J	不 燃 化 カ ー ボ ン 抵 抗		05
R201	VV313900	Flame Proof C. Resistor	680.0 1/4 J	不 燃 化 カ ー ボ ン 抵 抗		01
R202	HF454470	Carbon Resistor	47.0 1/4 J	カ ー ボ ン 抵 抗		01
R203	HF455680	Carbon Resistor	680.0 1/4 J	カ ー ボ ン 抵 抗		01
R204	HF455680	Carbon Resistor	680.0 1/4 J	カ ー ボ ン 抵 抗		01
CN101	VV066300	Connector Base Post	M2426XX 3P TE	コ ネ ク タ ベ ー ス ポ ス ト		01
CN102	VV066400	Connector Base Post	M2426XX 4P TE	コ ネ ク タ ベ ー ス ポ ス ト		01
CN103	LB932030	Base Post Connector	VH- 3P TE	ベ ー ス ポ ス ト		01
CN104	LB932020	Base Post Connector	VH- 2P TE	ベ ー ス ポ ス ト		01
CN105	VV067600	Connector Base Post	M2426XXR 2P SE	コ ネ ク タ ベ ー ス ポ ス ト		01
CN106	VV067600	Connector Base Post	M2426XXR 2P SE	コ ネ ク タ ベ ー ス ポ ス ト		01
PR101	VL965100	Positive Thermistor	PTH9M04BE222TS2	ポ ジ ス タ		04
PR102	VL964800	Positive Thermistor	PTH9M04BH222TS2	ポ ジ ス タ		04
Q101N	VQ547300	Transistor	2SC4793 (HFE)	ト ラ ン ジ ス タ		03
Q102P	VQ547200	Transistor	2SA1837 (HFE)	ト ラ ン ジ ス タ		03
Q113N	VQ547300	Transistor	2SC4793 (HFE)	ト ラ ン ジ ス タ		03
Q114P	VQ547200	Transistor	2SA1837 (HFE)	ト ラ ン ジ ス タ		03
Q115N	VQ547300	Transistor	2SC4793 (HFE)	ト ラ ン ジ ス タ		03
Q116P	VQ547200	Transistor	2SA1837 (HFE)	ト ラ ン ジ ス タ		03
Q117N	VZ222300	Pair Transistor	A1492C3856(Z)(210)	ペ ア ト ラ ン ジ ス タ		08
Q118N	VZ222300	Pair Transistor	A1492C3856(Z)(210)	ペ ア ト ラ ン ジ ス タ		08
Q119N	VZ222300	Pair Transistor	A1492C3856(Z)(210)	ペ ア ト ラ ン ジ ス タ		08
Q120P	VZ222300	Pair Transistor	A1492C3856(Z)(210)	ペ ア ト ラ ン ジ ス タ		08
Q121P	VZ222300	Pair Transistor	A1492C3856(Z)(210)	ペ ア ト ラ ン ジ ス タ		08
Q122P	VZ222300	Pair Transistor	A1492C3856(Z)(210)	ペ ア ト ラ ン ジ ス タ		08
Q123N	VZ222300	Pair Transistor	A1492C3856(Z)(210)	ペ ア ト ラ ン ジ ス タ		08
Q124N	VZ222300	Pair Transistor	A1492C3856(Z)(210)	ペ ア ト ラ ン ジ ス タ		08
Q125N	VZ222300	Pair Transistor	A1492C3856(Z)(210)	ペ ア ト ラ ン ジ ス タ		08
Q126N	VZ222300	Pair Transistor	A1492C3856(Z)(210)	ペ ア ト ラ ン ジ ス タ		08
Q127N	VZ222300	Pair Transistor	A1492C3856(Z)(210)	ペ ア ト ラ ン ジ ス タ		08
Q128P	VZ222300	Pair Transistor	A1492C3856(Z)(210)	ペ ア ト ラ ン ジ ス タ		08
Q129P	VZ222300	Pair Transistor	A1492C3856(Z)(210)	ペ ア ト ラ ン ジ ス タ		08
Q130P	VZ222300	Pair Transistor	A1492C3856(Z)(210)	ペ ア ト ラ ン ジ ス タ		08
Q131P	VZ222300	Pair Transistor	A1492C3856(Z)(210)	ペ ア ト ラ ン ジ ス タ		08
Q132P	VZ222300	Pair Transistor	A1492C3856(Z)(210)	ペ ア ト ラ ン ジ ス タ		08
Q135P	VR732800	Transistor	A1859A/C4883A	ペ ア ト ラ ン ジ ス タ		04
Q136N	VR732800	Transistor	A1859A/C4883A	ペ ア ト ラ ン ジ ス タ		04
Q137N	VZ222300	Pair Transistor	A1492C3856(Z)(210)	ペ ア ト ラ ン ジ ス タ		08
Q138N	VZ222300	Pair Transistor	A1492C3856(Z)(210)	ペ ア ト ラ ン ジ ス タ		08
Q139N	VZ222300	Pair Transistor	A1492C3856(Z)(210)	ペ ア ト ラ ン ジ ス タ		08
Q140P	VZ222300	Pair Transistor	A1492C3856(Z)(210)	ペ ア ト ラ ン ジ ス タ		08
Q141P	VZ222300	Pair Transistor	A1492C3856(Z)(210)	ペ ア ト ラ ン ジ ス タ		08
Q142P	VZ222300	Pair Transistor	A1492C3856(Z)(210)	ペ ア ト ラ ン ジ ス タ		08
VR101	VZ352000	Trimmer Potentiometer	B 680 3P	半 固 定 V R		01
VR102	VZ352000	Trimmer Potentiometer	B 680 3P	半 固 定 V R		01
△	VZ021200	AC Cord	UC SJT 3X#18 10A	電 源 コ ー ド		
△	XT373B00	Power Transformer	UL E	電 源 ト ラ ン ス		35
	VY898600	Fan	3110KL-05W-B50-L29	D C フ ァ ン	2	09

\* New Parts (新規部品)

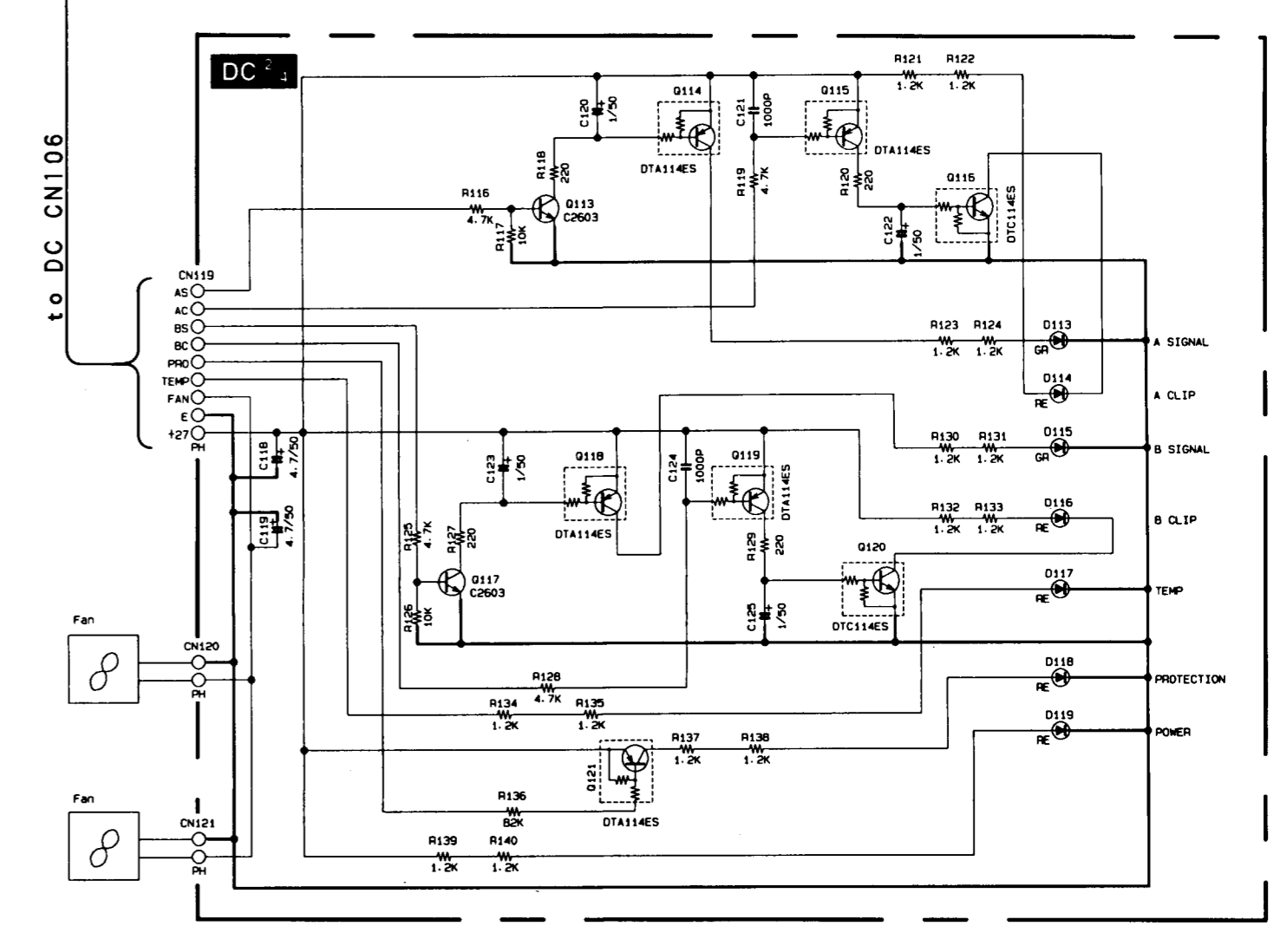
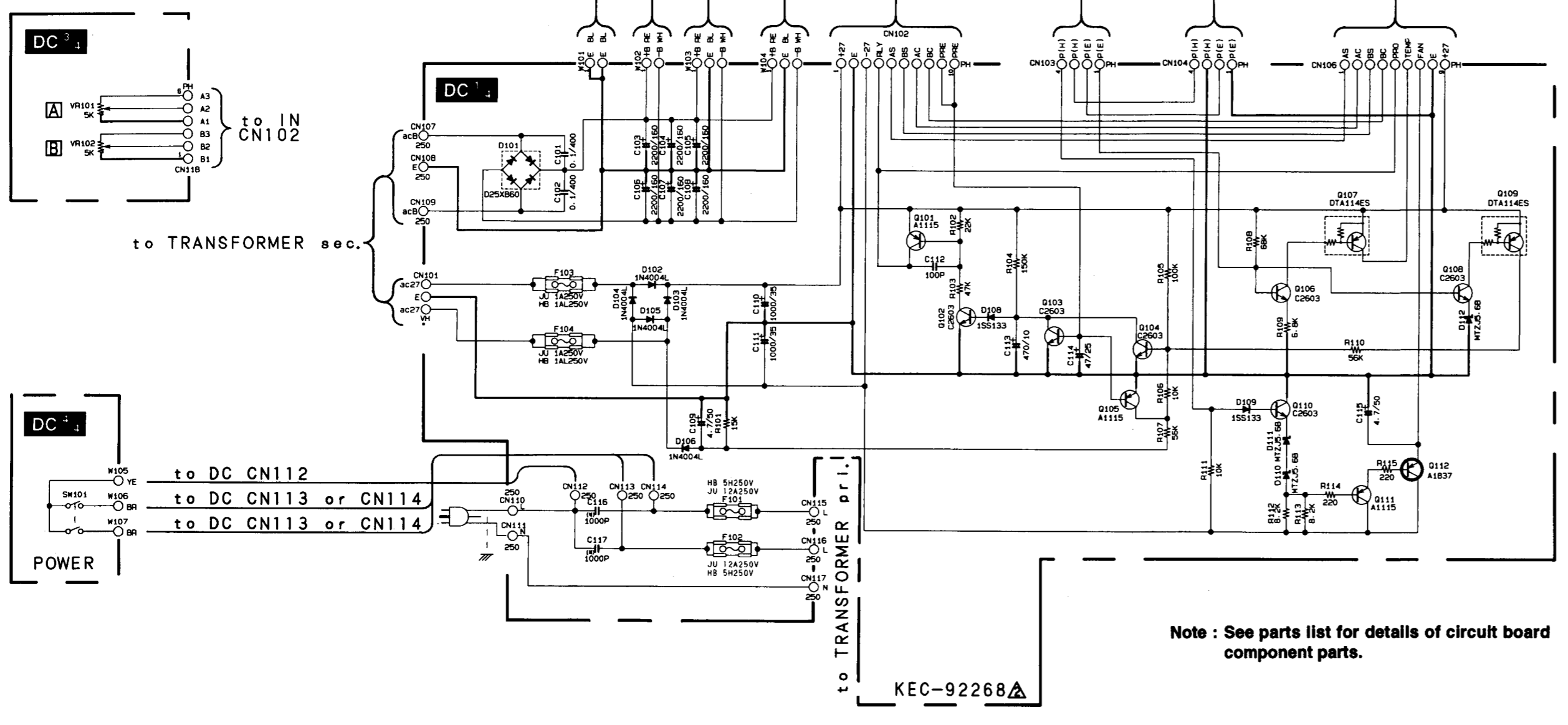
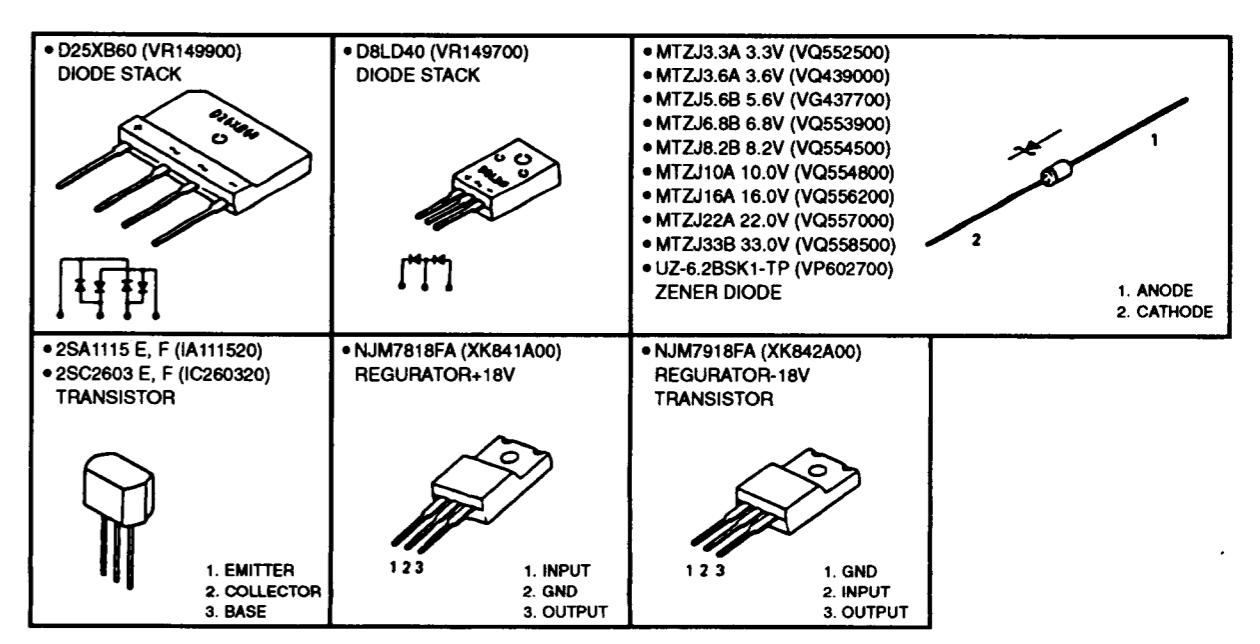
ランク : Japan only



Note 1) Difference between C450 and C320

Model	C450	C320
Circuit Board	PA5	PA3
R120, 121	18k	15k

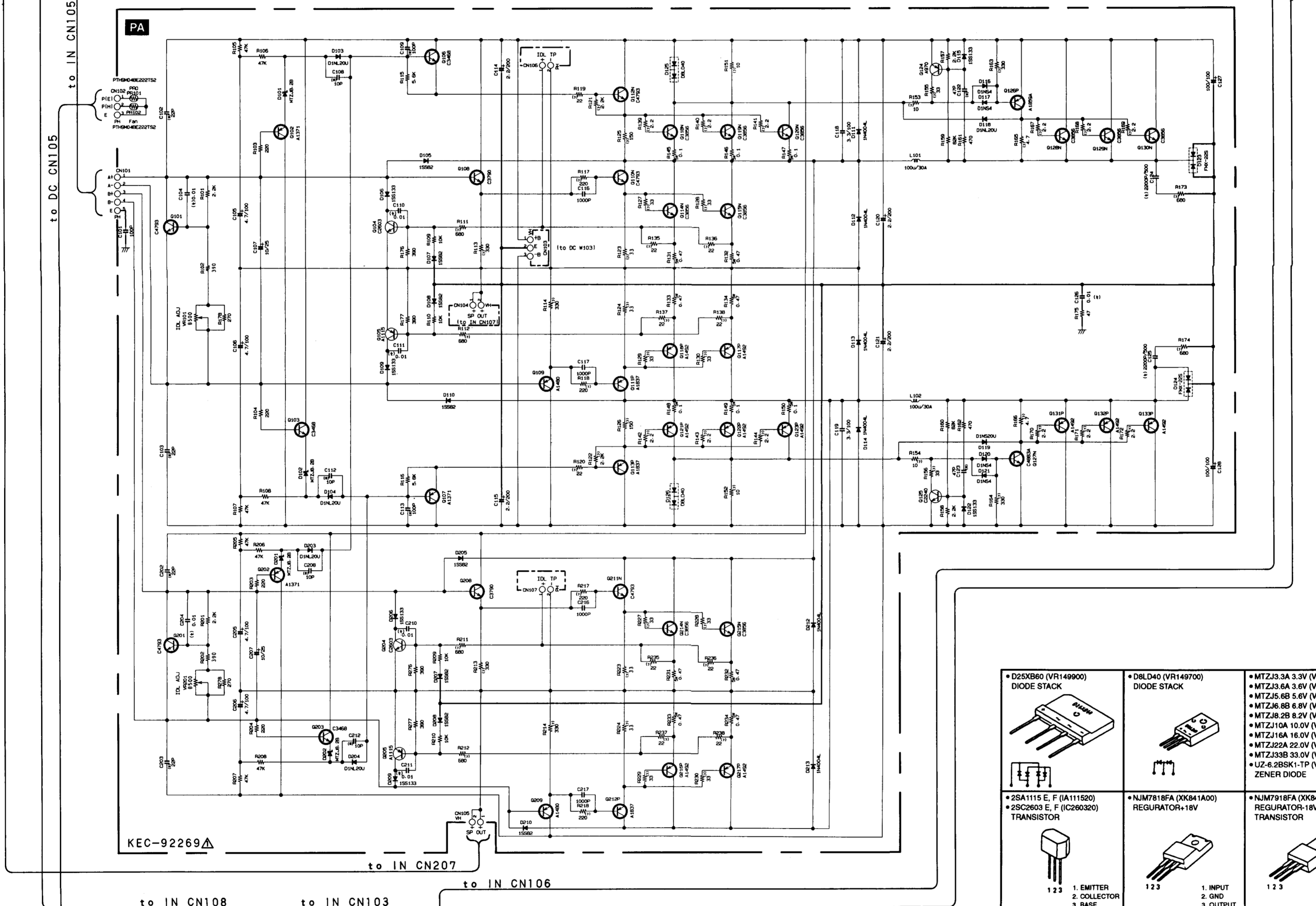
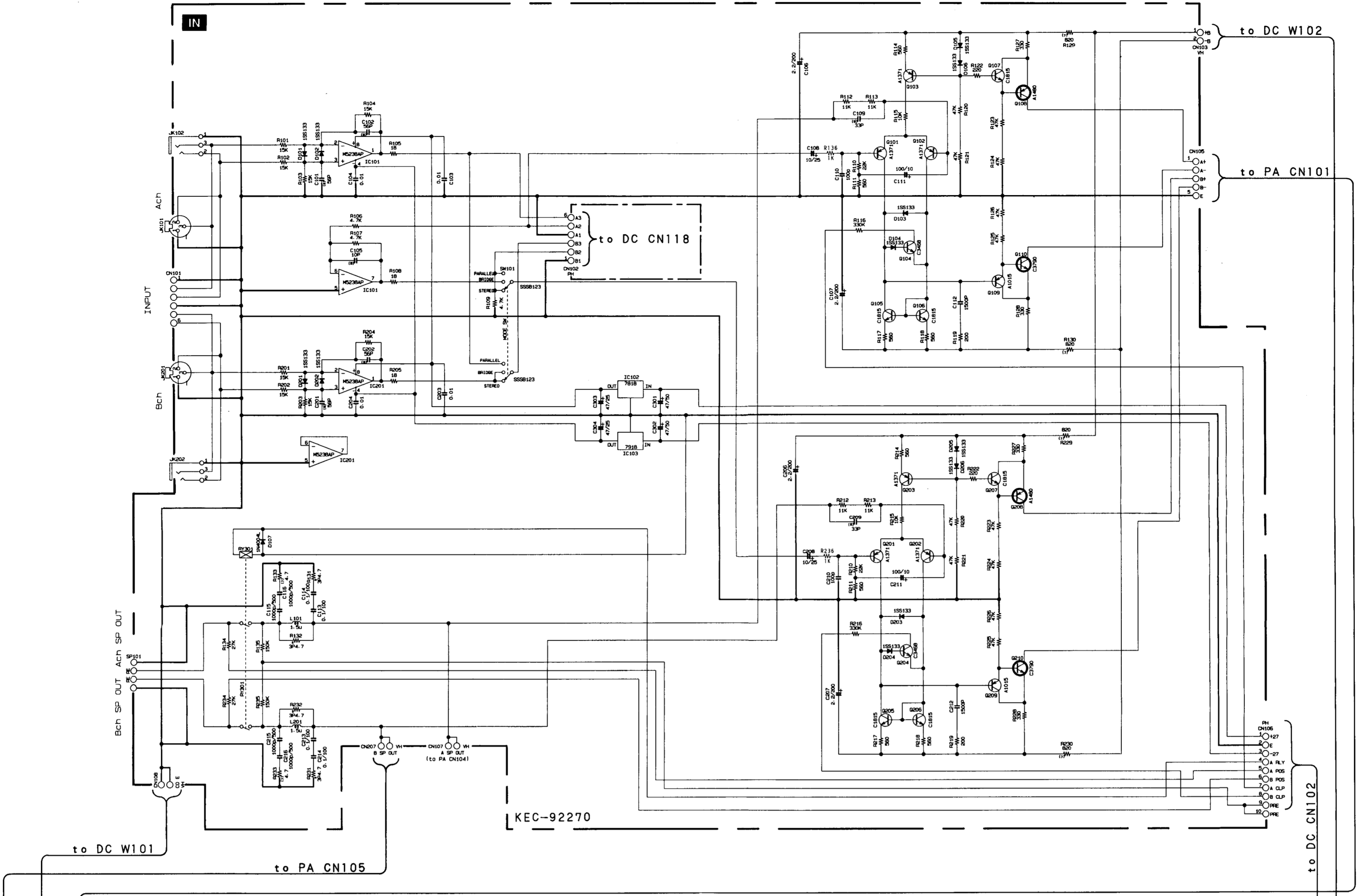
□ Inside : Circuit of C450 only (at 2 places)



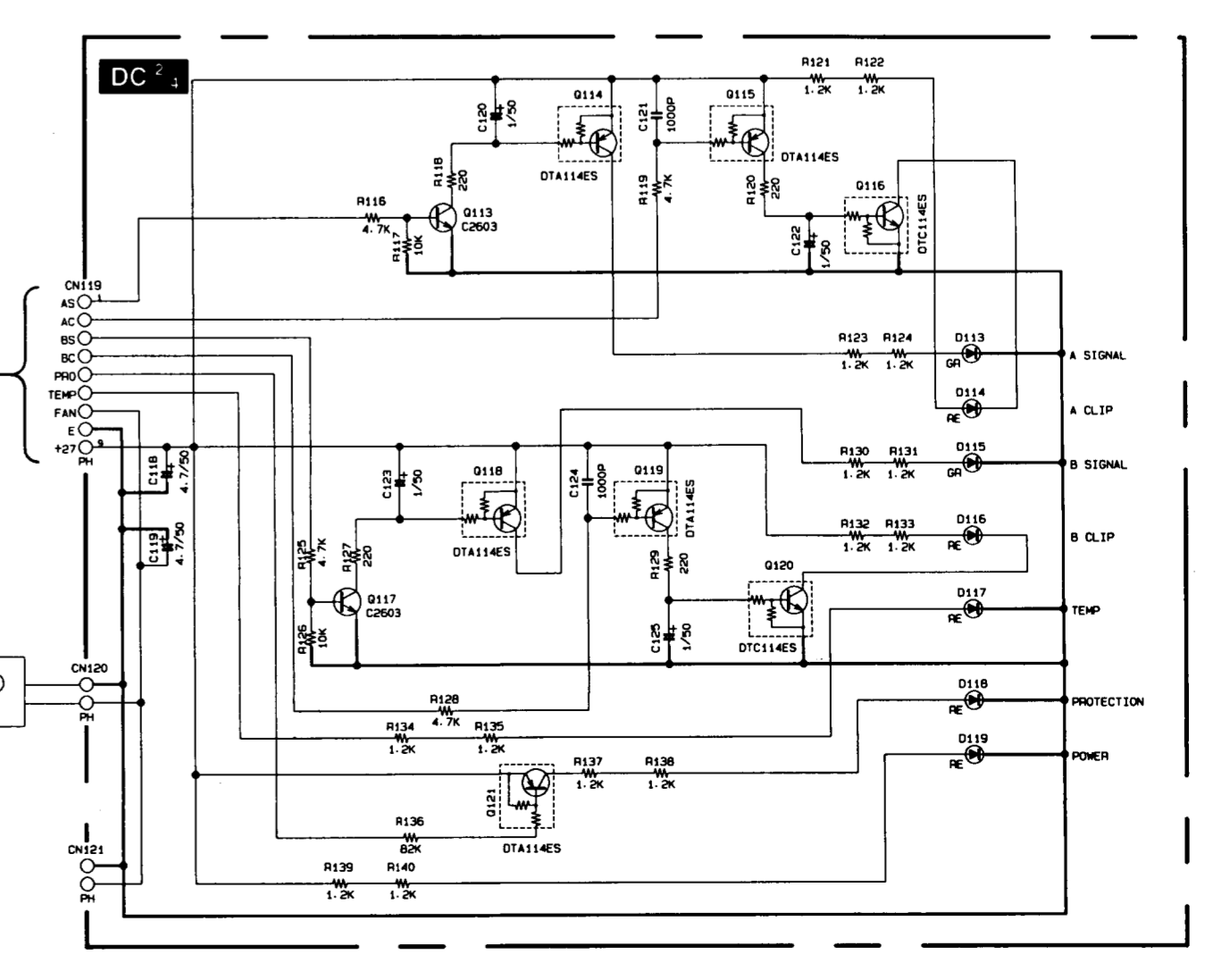
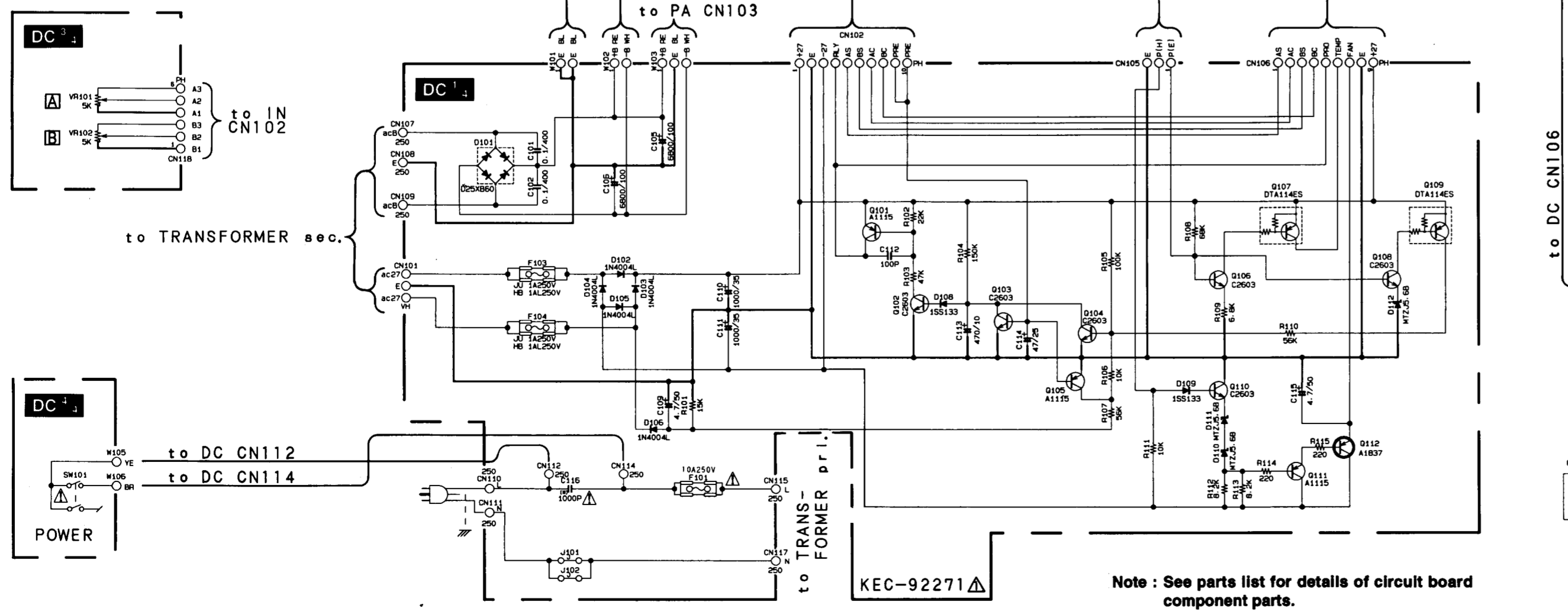
**WARNING**  
Components having special characteristics are marked  $\Delta$  and must be replaced with parts having specification equal to those originally installed.

Note : See parts list for details of circuit board component parts.





<p>• D25XB60 (VR149900) DIODE STACK</p>	<p>• D8LD40 (VR149700) DIODE STACK</p>	<p>• MTZJ3.3A 3.3V (VQ552500) • MTZJ3.6A 3.6V (VQ439000) • MTZJ3.6B 3.6V (VQ543700) • MTZJ6.8B 6.8V (VQ553900) • MTZJ8.2B 8.2V (VQ554500) • MTZJ10A 10.0V (VQ554800) • MTZJ16A 16.0V (VQ556200) • MTZJ22A 22.0V (VQ557000) • MTZJ33B 33.0V (VQ558500) • LZ4.25SK-1T (VP462700) ZENER DIODE</p> <p>1. ANODE 2. CATHODE</p>
<p>• 2SA1115 E, F (A111520) • 2SC2683 E, F (C268320) TRANSISTOR</p> <p>1. EMITTER 2. COLLECTOR 3. BASE</p>	<p>• NJM7818FA (XK841A00) REGULATOR-18V</p> <p>1. INPUT 2. GND 3. OUTPUT</p>	<p>• NJM7818FA (XK842A00) REGULATOR-18V TRANSISTOR</p> <p>1. GND 2. INPUT 3. OUTPUT</p>



Note: See parts list for details of circuit board component parts.

WARNING Components having special characteristics are marked Δ and must be replaced with parts having specification equal to those originally installed.